

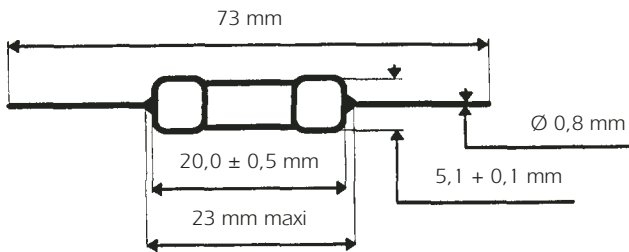


Axial leads 5x20 250V - FC "AL" Fast Acting

BETWEEN 0,16 TO 10A

Electricals characteristics :
according to IEC 127-2 Standard Sheet 1

Dimensions



Sand-filled fuses
Max weight : 1,5 g



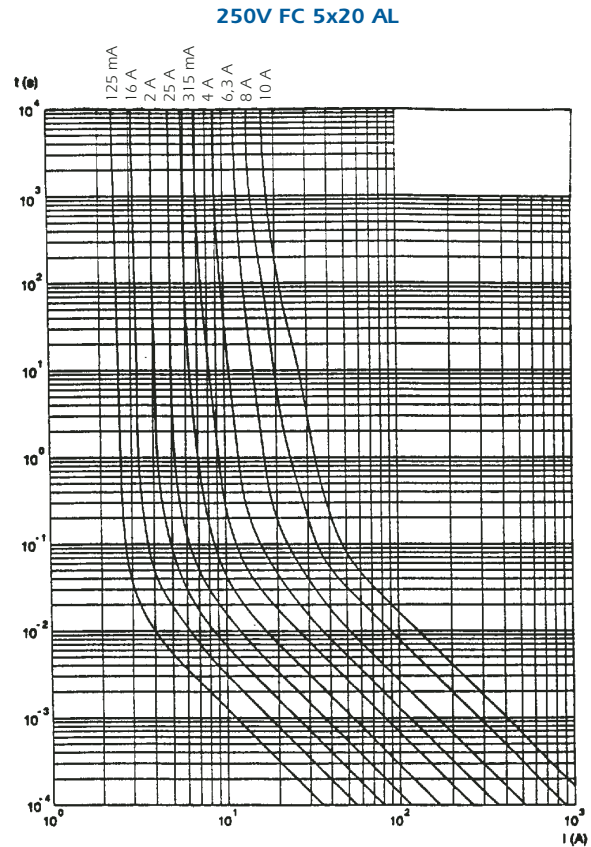
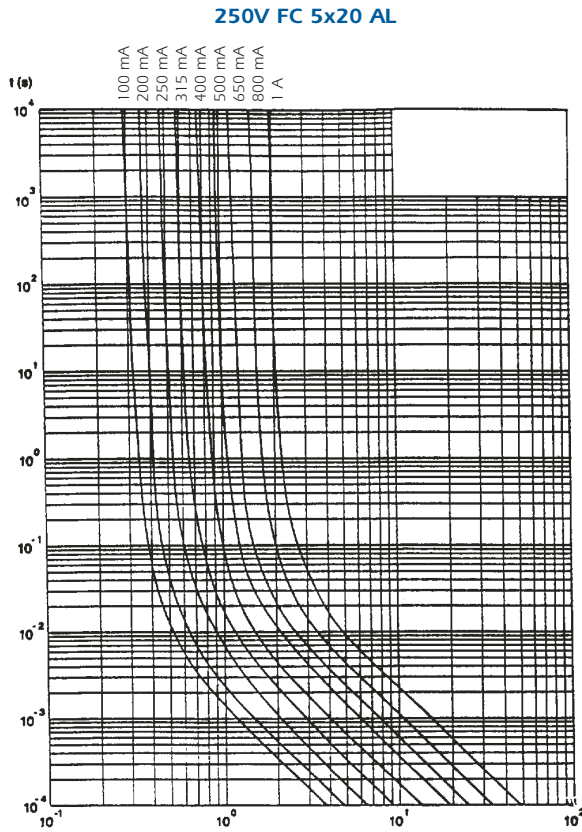
Basic Characteristics

Size	Rated Voltage	Rated Current	Breaking Capacity	[I ² t] Pre-arcing	[I ² t] Total clearing at 250 V	Max voltage drop at I _n	Designation	Reference Number	Catalog Number
mm	VAC	A		A ² s		V			
5 x 20	250	0,160	Along IEC 127 1500 A @ 250 VAC cos φ ≥ 0,7	0,0011	0,0025	1,6	250V FC 0,160 A 5x20 AL	L205032	MI5FCP25V0,16
		0,200		0,0018	0,004	1,45	250V FC 0,200 A 5x20 AL	M205033	MI5FCP25V0,20
		0,250		0,0035	0,008	1,3	250V FC 0,250 A 5x20 AL	N205034	MI5FCP25V0,25
		0,315		0,0072	0,016	1,15	250V FC 0,315 A 5x20 AL	E206061	MI5FCP25V0,31
		0,400		0,015	0,032	1,1	250V FC 0,400 A 5x20 AL	F206062	MI5FCP25V0,4
		0,500		0,032	0,066	1	250V FC 0,500 A 5x20 AL	P205035	MI5FCP25V0,5
		0,630		0,052	0,082	0,45	250V FC 0,630 A 5x20 AL	H206064	MI5FCP25V0,63
		0,800		0,098	0,16	0,4	250V FC 0,800 A 5x20 AL	G206063	MI5FCP25V0,8
		1,000		0,2	0,32	0,37	250V FC 1,000 A 5x20 AL	Q205036	MI5FCP25V1
		1,250		0,11	0,35	0,55	250V FC 1,250 A 5x20 AL	R205037	MI5FCP25V1,25
		1,600		0,28	0,55	0,42	250V FC 1,600 A 5x20 AL	S205038	MI5FCP25V1,6
		2,000		0,55	1,2	0,38	250V FC 2,000 A 5x20 AL	T205039	MI5FCP25V2
		2,500		1,1	2,4	0,34	250V FC 2,500 A 5x20 AL	V205040	MI5FCP25V2,5
		3,150		2,5	5	0,28	250V FC 3,150 A 5x20 AL	W205041	MI5FCP25V3,15
		4,000		6,1	12	0,23	250V FC 4,000 A 5x20 AL	X205042	MI5FCP25V4
		5,000		11	22	0,21	250V FC 5,000 A 5x20 AL	Y205043	MI5FCP25V5
		6,300		25	45	0,18	250V FC 6,300 A 5x20 AL	Z205044	MI5FCP25V6,3
8	72	130	0,13	250V FC 8,000 A 5x20 AL	A205045	MI5FCP25V8			
10	150	270	0,11	250V FC 10,00 A 5x20 AL	B205046	MI5FCP25V10			

These fuses are not SEMKO approved. IEC 127 doesn't take into account 5x20 fuses with axial leads.

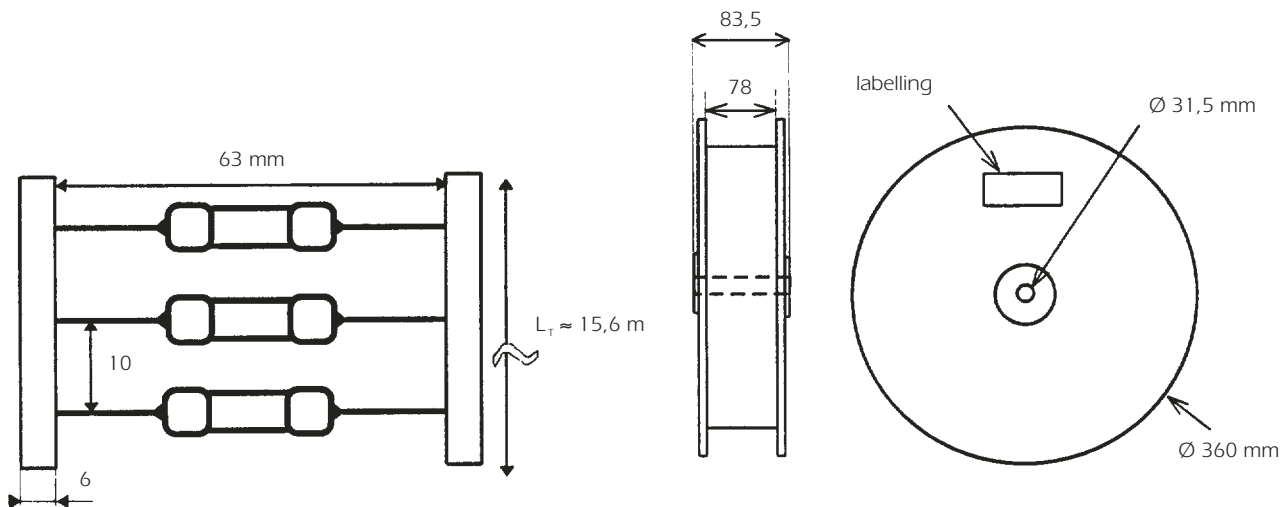
Axial leads 5x20 250V - FC "AL" Fast Acting

Time-current characteristics



I margin $\pm 12\%$. Actual prearcing time(s). R.M.S. Value of prearcing current (A).

Packaging: in tape per 2000 pieces



Installation instruction

Soldering heat resistance : according IEC 68-2-20 / 260°C for 10 seconds.

Material:

Body: ceramic tube

Connection: Tin plated copper

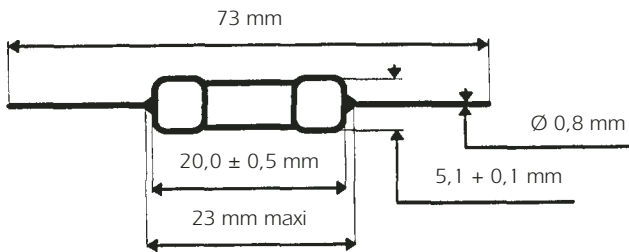


Axial leads 5x20 250V - FA/FB "AL" Very Fast Acting

Approvals UL recognized E 90660

BETWEEN 0,04 TO 6,3 A

Dimensions



Sand-filled fuses
Max weight : 1,5 g



Basic Characteristics

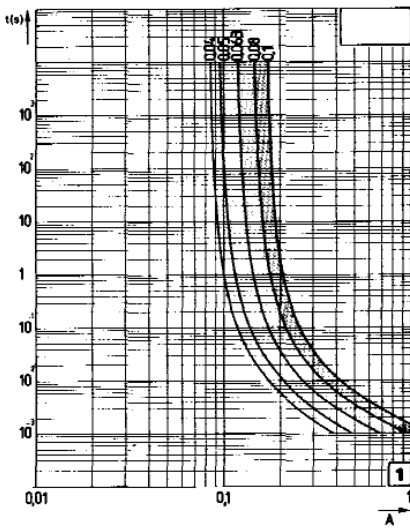
Size	Rated Voltage	Rated Current	Breaking Capacity	[I ² t] Pre-arcing	[I ² t] Total clearing at 250 V	Max voltage drop at I _n	Designation	Reference Number	Catalog Number
mm	VAC	A		A ² s		V			
5 x 20	250	0,040*	250 VAC	0,00013	0,0004	1,5	250V FB 0,040 A 5 x 20AL	Z204883	MI5FBP25V0,04
		0,050*	4 kA	0,00020	0,0006	1,5	250V FB 0,050 A 5 x 20AL	S206901	MI5FBP25V0,05
		0,063*	cos φ ≥ 0,7	0,00041	0,0012	1,3	250V FB 0,063 A 5 x 20AL	K205031	MI5FBP25V0,063
		0,080*		0,00077	0,0022	1,1	250V FB 0,080 A 5 x 20AL	C207899	MI5FBP25V0,08
		0,100*		0,00131	0,0037	1,1	250V FB 0,100 A 5 x 20AL	B206472	MI5FBP25V0,1
		0,125	250 VAC	0,00077	0,0021	1,7	250V FA 0,125 A 5 x 20AL	M205907	MI5FAP25V0,125
		0,160	30 kA	0,0020	0,006	1,3	250V FA 0,160 A 5 x 20AL	H208249	MI5FAP25V0,16
		0,200	cos φ ≥ 0,2	0,0046	0,013	1,1	250V FA 0,200 A 5 x 20AL	J208250	MI5FAP25V0,2
		0,250		0,009	0,025	1,0	250V FA 0,250 A 5 x 20AL	L205906	MI5FAP25V0,25
		0,315		0,016	0,045	0,90	250V FA 0,315 A 5 x 20AL	K208251	MI5FAP25V0,315
		0,400	for	0,03	0,085	0,85	250V FA 0,400 A 5 x 20AL	L208252	MI5FAP25V0,4
		0,500	approvals	0,05	0,15	0,80	250V FA 0,500 A 5 x 20AL	M208253	MI5FAP25V0,5
		0,630	I _c = 10 kA	0,12	0,35	0,70	250V FA 0,630 A 5 x 20AL	N208254	MI5FAP25V0,63
		0,800	under 250 VAC	0,25	0,72	0,60	250V FA 0,800 A 5 x 20AL	P208255	MI5FAP25V0,8
		1,000	cos φ ≥ 0,7	0,11	0,25	0,46	250V FA 1,000 A 5 x 20AL	Q208256	MI5FAP25V1
		1,250		0,26	0,65	0,36	250V FA 1,250 A 5 x 20AL	R208257	MI5FAP25V1,25
		1,600		0,39	0,9	0,42	250V FA 1,600 A 5 x 20AL	S208258	MI5FAP25V1,6
		2,000		0,81	1,9	0,37	250V FA 2,000 A 5 x 20AL	T208259	MI5FAP25V2
2,500		1,44	3,2	0,34	250V FA 2,500 A 5 x 20AL	V208260	MI5FAP25V2,5		
3,150		2,46	5,5	0,33	250V FA 3,150 A 5 x 20AL	W208261	MI5FAP25V3,15		
4,000		4,6	10	0,31	250V FA 4,000 A 5 x 20AL	X208262	MI5FAP25V4		
5,000		11	25	0,24	250V FA 5,000 A 5 x 20AL	Y208263	MI5FAP25V5		
6,300		23	50	0,20	250V FA 6,300 A 5 x 20AL	Y208033	MI5FAP25V6,3		

*Rating non approval

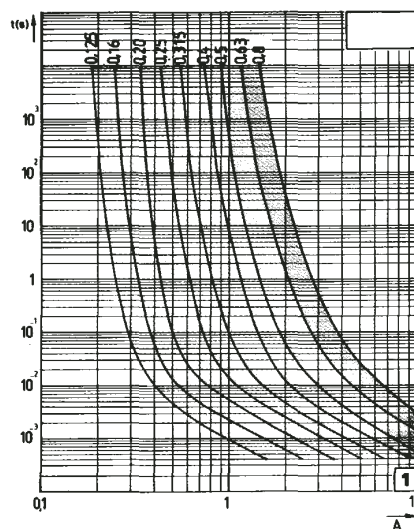
Axial leads
5x20
250V - FA/FB "AL" Very Fast Acting

Time-current characteristics

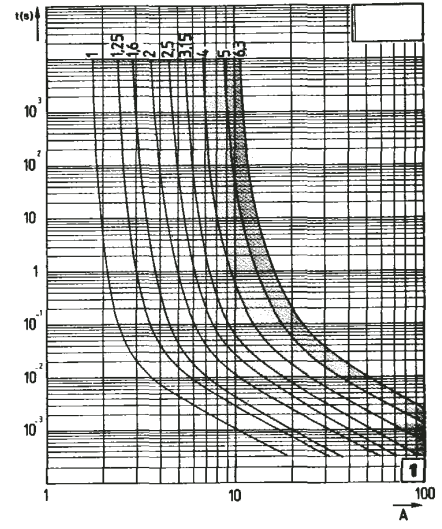
250V FB 5x20 AL



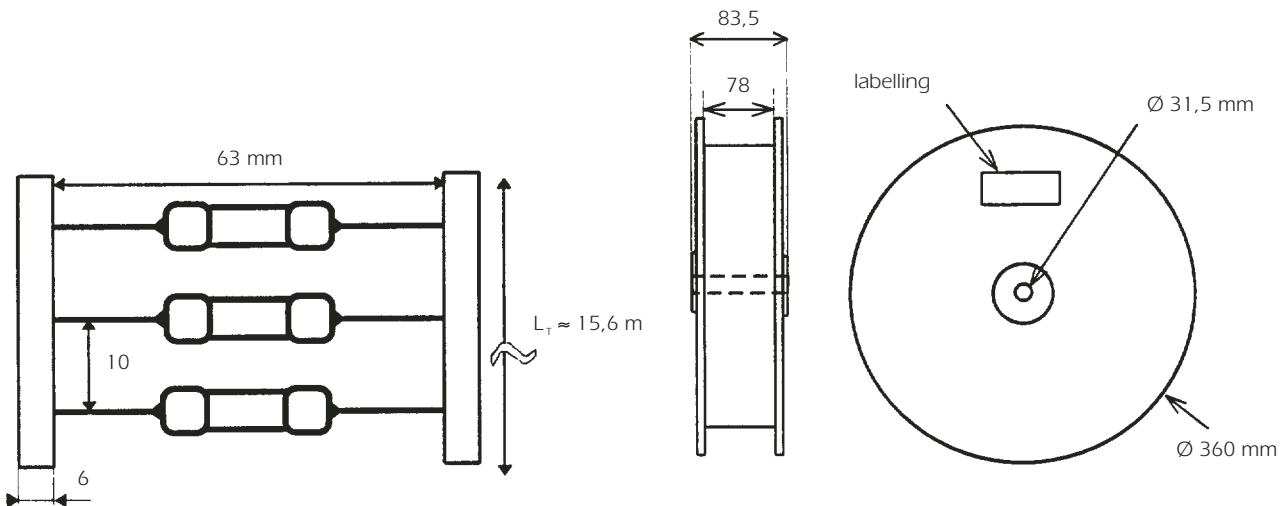
250V FA 5x20 AL



250V FA 5x20 AL



Packaging: in tape per 2000 pieces



Installation instruction

Soldering heat resistance : according IEC 68-2-20 / 260°C for 10 seconds.

Material:

Body: ceramic tube

Connection: Tin plated copper

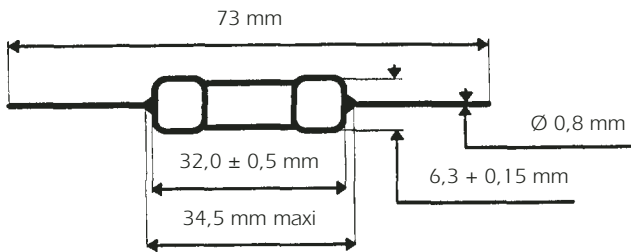


Axial leads 6x32 250V - FA "AL" Very Fast Acting

Approvals UL recognized E 76491

BETWEEN 0,1 TO 6,3 A

Dimensions



Max weight : 2,5 g



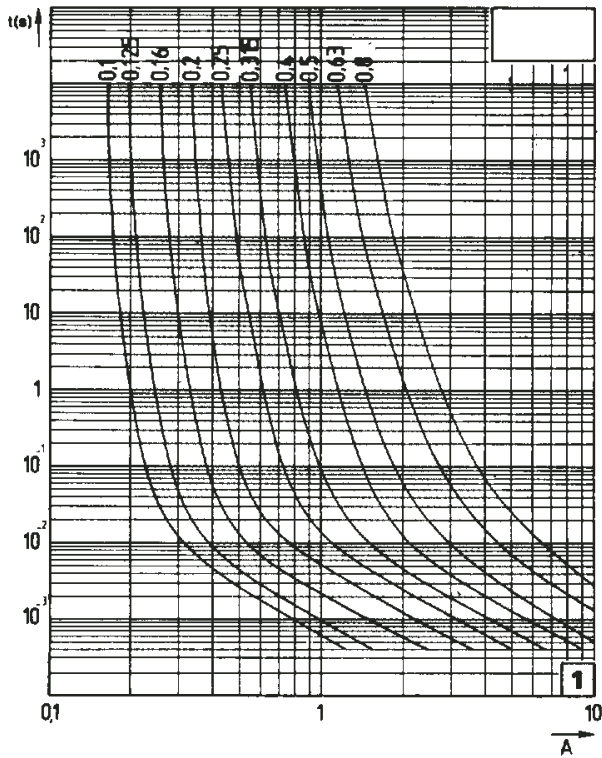
Basic Characteristics

Size	Rated Voltage	Rated Current	Breaking Capacity under 250 V AC	[I ² t] Pre-arcing	[I ² t] Total clearing at 250 V	Max voltage drop at I _n	Designation	Reference Number	Catalog Number
mm	VAC	A		A ² s	V				
6,3 x 32	250	0,100	200 kA cos φ ≥ 0,2	0,00057	0,0011	2,75	250V FA 0,100 A 6.32 AL	M208138	MI6FAP25V0,1
		0,125		0,00077	0,0015	2,6	250V FA 0,125 A 6.32 AL	N208139	MI6FAP25V0,125
		0,160		0,0020	0,004	2,0	250V FA 0,160 A 6.32 AL	P208140	MI6FAP25V0,16
		0,200		0,0046	0,009	1,7	250V FA 0,200 A 6.32 AL	Q208141	MI6FAP25V0,2
		0,250		0,009	0,018	1,55	250V FA 0,250 A 6.32 AL	R208142	MI6FAP25V0,25
		0,315		0,016	0,032	1,45	250V FA 0,315 A 6.32 AL	S208143	MI6FAP25V0,315
		0,400		0,03	0,06	1,40	250V FA 0,400 A 6.32 AL	T208144	MI6FAP25V0,4
		0,500		0,05	0,10	1,40	250V FA 0,500 A 6.32 AL	V208145	MI6FAP25V0,5
		0,630		0,12	0,24	1,15	250V FA 0,630 A 6.32 AL	W208146	MI6FAP25V0,63
		0,800		0,25	0,50	1,00	250V FA 0,800 A 6.32 AL	X208147	MI6FAP25V0,8
		1,000		0,11	0,20	0,71	250V FA 1,000 A 6.32 AL	Y208148	MI6FAP25V1
		1,250		0,26	0,50	0,55	250V FA 1,250 A 6.32 AL	Z208149	MI6FAP25V1,25
		1,600		0,39	0,7	0,65	250V FA 1,600 A 6.32 AL	C208152	MI6FAP25V1,6
		2,000		0,81	1,4	0,55	250V FA 2,000 A 6.32 AL	D208153	MI6FAP25V2
		2,500		1,44	2,5	0,52	250V FA 2,500 A 6.32 AL	E208154	MI6FAP25V2,5
3,150	2,46	4,3	0,53	250V FA 3,150 A 6.32 AL	F208155	MI6FAP25V3,15			
4,000	4,6	8	0,48	250V FA 4,000 A 6.32 AL	G208156	MI6FAP25V4			
5,000	11	20	0,37	250V FA 5,000 A 6.32 AL	H208157	MI6FAP25V5			
6,300	23	40	0,31	250V FA 6,300 A 6.32 AL	Z208034	MI6FAP25V6,3			

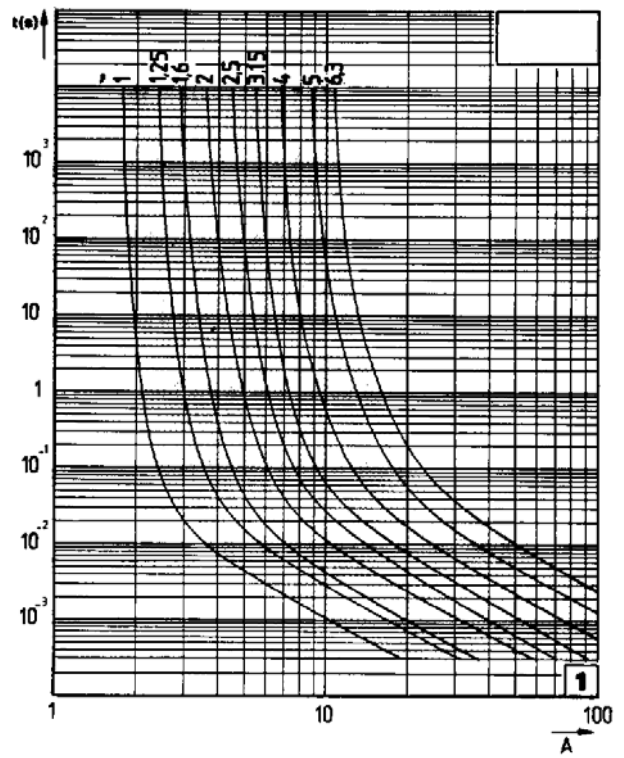
Axial leads
6x32
250V - FA "AL" Very Fast Acting

Time-current characteristics

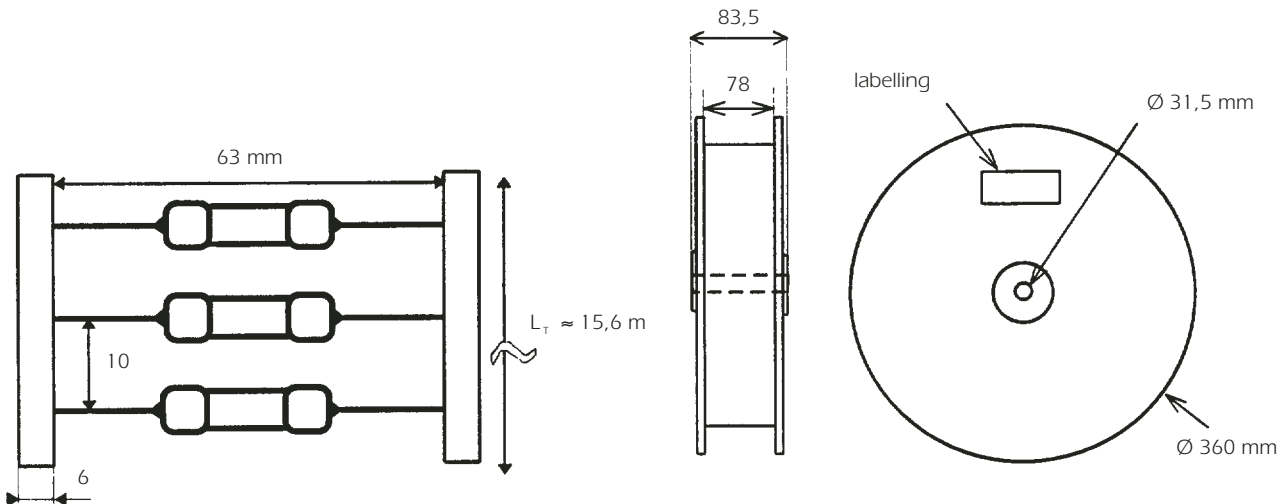
250V FA 6,3 x 32 AL



250V FA 6,3 x 32 AL



Packaging: in tape per 1500 pieces



Installation instruction

Soldering heat resistance : according IEC 68-2-20 / 260°C for 10 seconds.

Material:

Body: ceramic tube

Connection: Tin plated copper

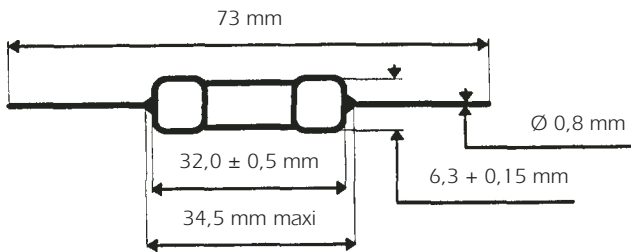


Axial leads 6x32 250V - SA "AL" Medium Time Lag

Approvals UL recognized E 76491

BETWEEN 0,1 TO 6,3 A

Dimensions



Max weight : 2,8 g



Basic Characteristics

Size	Rated Voltage	Rated Current	Breaking Capacity under 250 V AC	[I ² t] Pre-arcing	[I ² t] Total clearing at 250 V	Max voltage drop at I _n	Designation	Reference Number	Catalog Number
mm	VAC	A		A ² s		V			
6,3 x 32	250	0,100	200 kA cos φ ≥ 0,2	0,00077	0,0015	2,0	250V SA 0,100 A 6.32 AL	N208231	MI6SAP25V0,1
		0,125		0,002	0,0025	1,5	250V SA 0,125 A 6.32 AL	P208232	MI6SAP25V0,125
		0,160		0,0046	0,009	1,3	250V SA 0,160 A 6.32 AL	O208233	MI6SAP25V0,16
		0,200		0,009	0,018	1,2	250V SA 0,200 A 6.32 AL	R208234	MI6SAP25V0,2
		0,250		0,016	0,032	1,1	250V SA 0,250 A 6.32 AL	S208235	MI6SAP25V0,25
		0,315		0,03	0,06	1,0	250V SA 0,315 A 6.32 AL	T208236	MI6SAP25V0,315
		0,400		0,05	0,10	1,0	250V SA 0,400 A 6.32 AL	V208237	MI6SAP25V0,4
		0,500		0,12	0,24	0,80	250V SA 0,500 A 6.32 AL	W208238	MI6SAP25V0,5
		0,630		0,11	0,20	0,40	250V SA 0,630 A 6.32 AL	X208239	MI6SAP25V0,63
		0,800		0,17	0,31	0,40	250V SA 0,800 A 6.32 AL	Y208240	MI6SAP25V0,8
		1,000		0,26	0,50	0,40	250V SA 1,000 A 6.32 AL	Z208241	MI6SAP25V1
		1,250		0,55	1,0	0,35	250V SA 1,250 A 6.32 AL	A208242	MI6SAP25V1,25
		1,600		1,44	2,5	0,26	250V SA 1,600 A 6.32 AL	B208243	MI6SAP25V1,6
		2,000		2,46	4,3	0,25	250V SA 2,000 A 6.32 AL	C208244	MI6SAP25V2
		2,500		4,6	8	0,23	250V SA 2,500 A 6.32 AL	D208245	MI6SAP25V2,5
		3,150		11	20	0,16	250V SA 3,150 A 6.32 AL	E208246	MI6SAP25V3,15
4,000	23	40	0,16	250V SA 4,000 A 6.32 AL	F208247	MI6SAP25V4			
5,000	15,7	70	0,13	250V SA 5,000 A 6.32 AL	G208248	MI6SAP25V5			
6,300	28	120	0,13	250V SA 6,300 A 6.32 AL	E208039	MI6SAP25V6,3			

Miniature Fuses



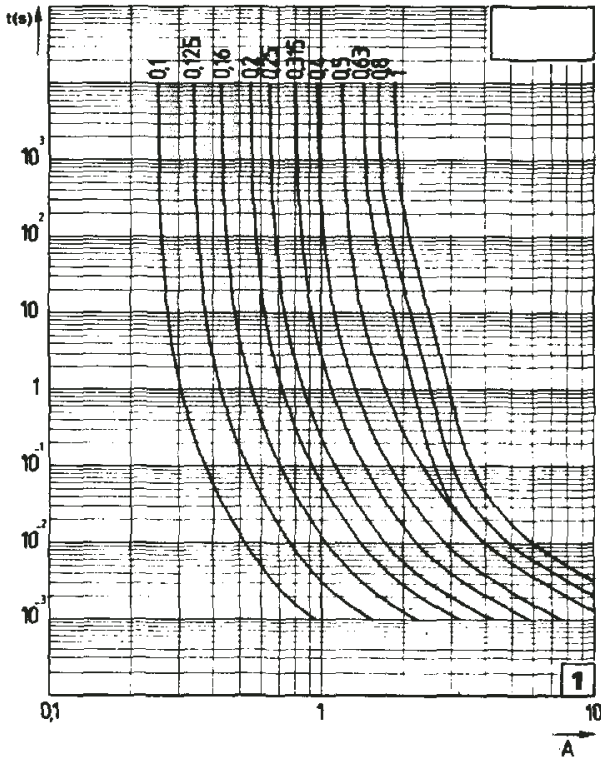
Axial leads

6x32

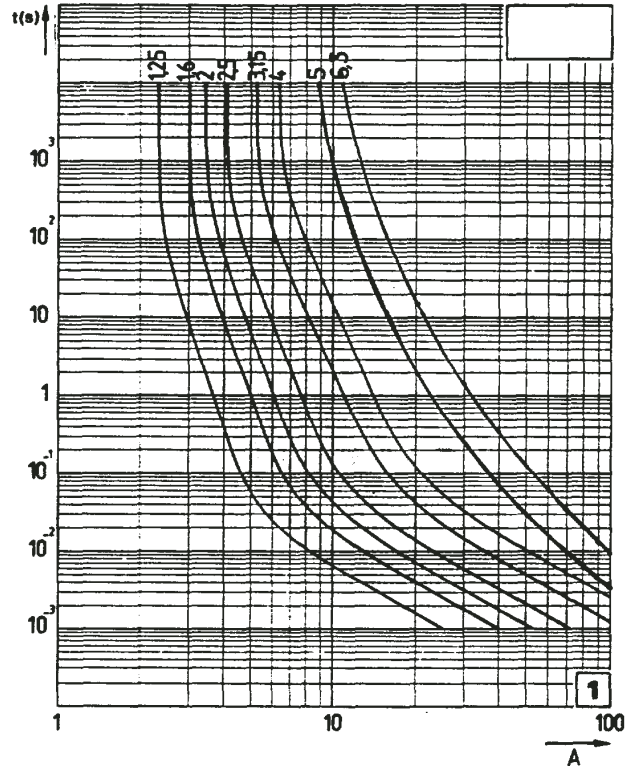
250V - SA "AL" Medium Time Lag

Time-current characteristics

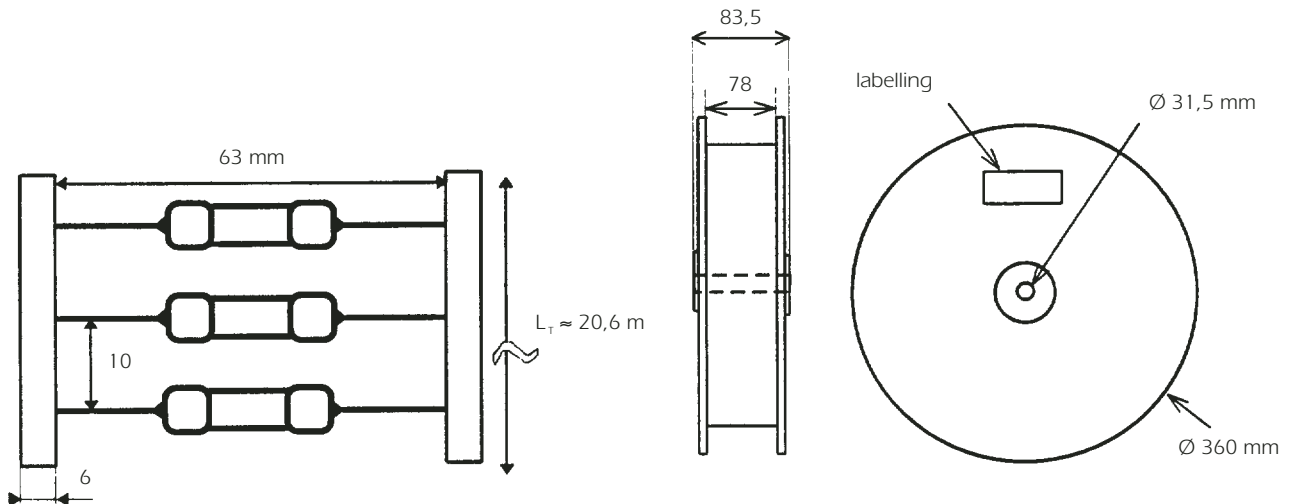
250V SA 6,3x32 AL



250V SA 6,3x32 AL



Packaging: in tape per 1500 pieces



Installation instruction

Soldering heat resistance : according IEC 68-2-20 / 260°C for 10 seconds.

Material:

Body: ceramic tube

Connection: Tin plated copper

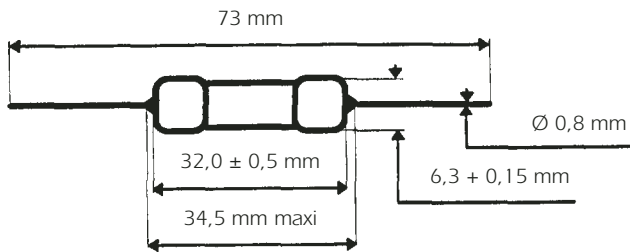


Axial leads 6x32 400V - FA "AL" Very Fast Acting

Approvals UL recognized E 76491

BETWEEN 0,1 TO 6,3 A

Dimensions



Max weight : 2,8 g



Basic Characteristics

Size	Rated Voltage	Rated Current	Breaking Capacity under 400 V AC	[I ² t] Pre-arcing	[I ² t] Total clearing at 400 V	Max voltage drop at I _n	Designation	Reference Number	Catalog Number
mm	VAC	A		A ² s		V			
6,3 x 32	400	0,100	200 kA cos φ ≥ 0,2	0,00057	0,0016	2,75	400V FA 0,100 A 6.32 AL	E208177	MI6FA40V0,1
		0,125		0,00077	0,0021	2,6	400V FA 0,125 A 6.32 AL	F208178	MI6FAP40V0,125
		0,160		0,002	0,006	2,0	400V FA 0,160 A 6.32 AL	G208179	MI6FAP40V0,16
		0,200		0,0046	0,013	1,7	400V FA 0,200 A 6.32 AL	H208180	MI6FAP40V0,2
		0,250		0,009	0,025	1,55	400V FA 0,250 A 6.32 AL	J208181	MI6FAP40V0,25
		0,315		0,016	0,045	1,45	400V FA 0,315 A 6.32 AL	K208182	MI6FAP40V0,31
		0,400		0,03	0,085	1,40	400V FA 0,400 A 6.32 AL	L208183	MI6FAP40V0,4
		0,500		0,05	0,15	1,40	400V FA 0,500 A 6.32 AL	M208184	MI6FAP40V0,5
		0,630		0,12	0,35	1,15	400V FA 0,630 A 6.32 AL	N208185	MI6FAP40V0,63
		0,800		0,25	0,72	1,0	400V FA 0,800 A 6.32 AL	P208186	MI6FAP40V0,8
		1,000		0,11	0,25	0,71	400V FA 1,000 A 6.32 AL	Q208187	MI6FAP40V1
		1,250		0,26	0,6	0,55	400V FA 1,250 A 6.32 AL	R208188	MI6FAP40V1,25
		1,600		0,39	0,9	0,65	400V FA 1,600 A 6.32 AL	S208189	MI6FAP40V1,6
		2,000		0,81	1,9	0,55	400V FA 2,000 A 6.32 AL	T208190	MI6FAP40V2
		2,500		1,44	3,2	0,52	400V FA 2,500 A 6.32 AL	V208191	MI6FAP40V2,5
		3,150		2,46	5,5	0,53	400V FA 3,150 A 6.32 AL	W208192	MI6FAP40V3,15
4,000	4,6	10	0,48	400V FA 4,000 A 6.32 AL	X208193	MI6FAP40V4			
5,000	11	25	0,37	400V FA 5,000 A 6.32 AL	Y208194	MI6FAP40V5			
6,300	1,1	12	0,22	400V FA 6,300 A 6.32 AL	A208035	MI6FAP40V6,3			

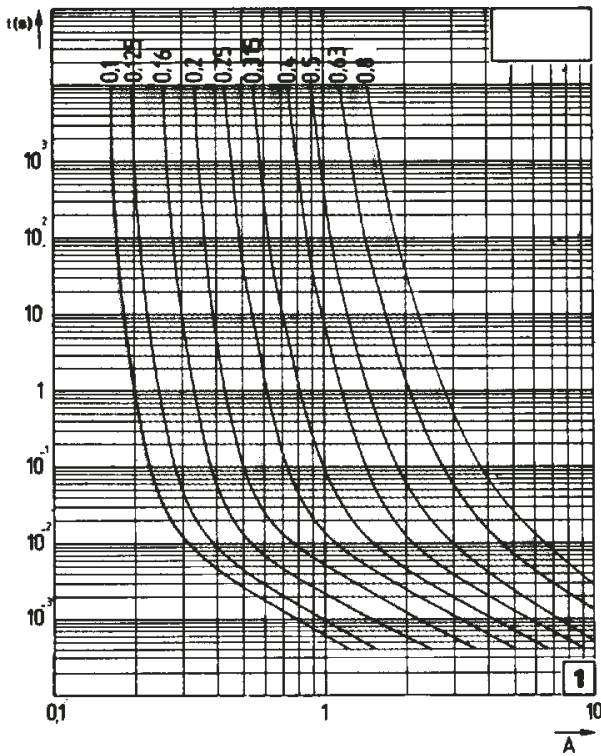
Miniature Fuses



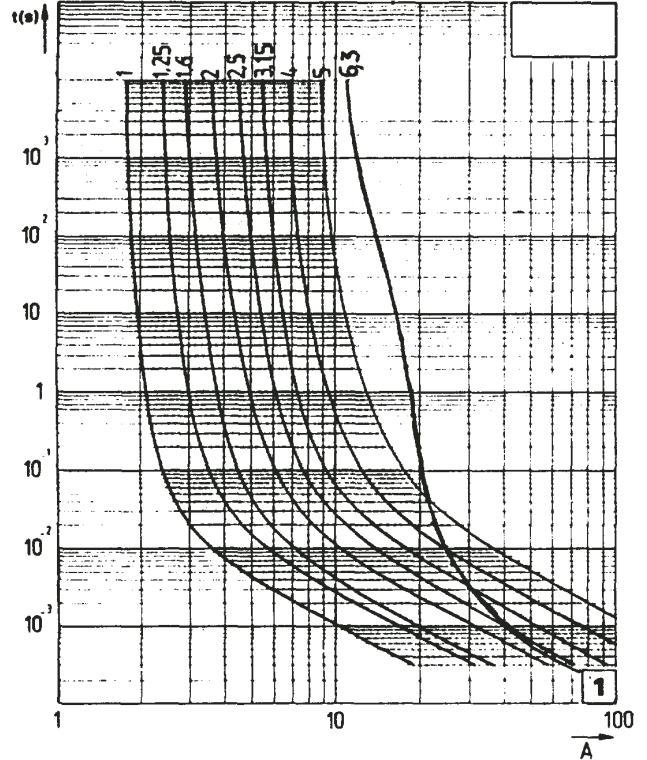
Axial leads
6x32
400V - FA "AL" Very Fast Acting

Time-current characteristics

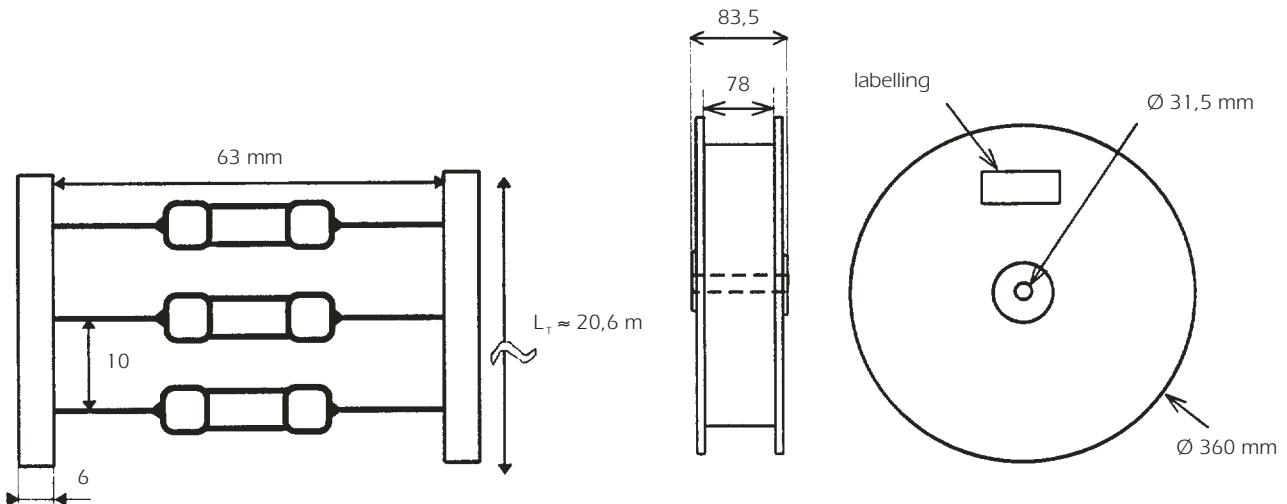
400V FA 6,3x32 AL



400V FA 6,3x32 AL



Packaging: in tape per 1500 pieces



Installation instruction

Soldering heat resistance : according IEC 68-2-20 / 260°C for 10 seconds.

Material:

Body: ceramic tube

Connection: Tin plated copper

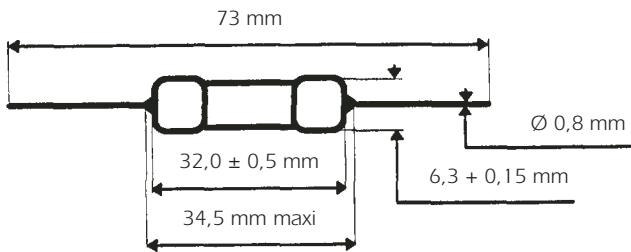


Axial leads 6x32 500V - FA "AL" Very Fast Acting

Approvals UL recognized E 76491

BETWEEN 0,1 TO 6,3 A

Dimensions



Max weight : 2,8 g



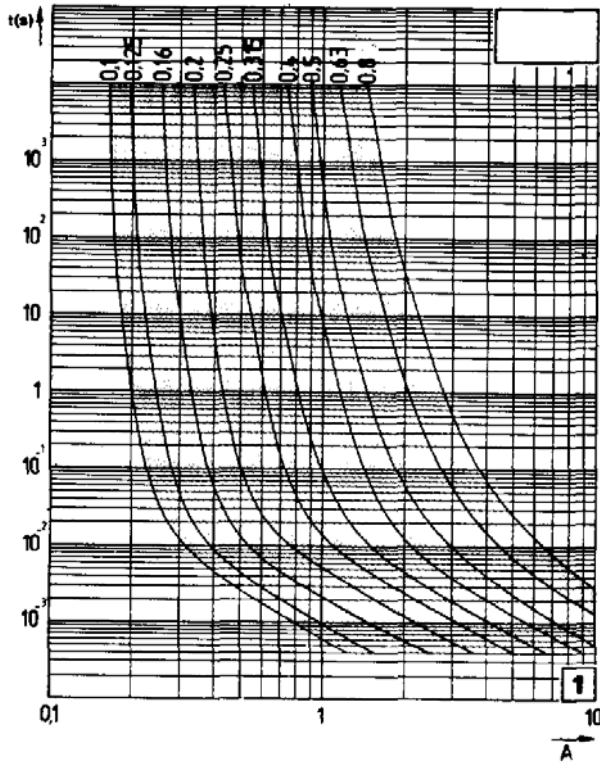
Basic Characteristics

Size	Rated Voltage	Rated Current	Breaking Capacity under 500 V AC	[I ² t] Pre-arcing	[I ² t] Total clearing at 500 V	Max voltage drop at I _n	Designation	Reference Number	Catalog Number
mm	VAC	A		A ² s	V				
6,3 x 32	500	0,100	200 kA cos φ ≥ 0,2	0,00057	0,002	2,75	500V FA 0,100 A 6.32 AL	A208196	MI6FAP50V0,1
		0,125		0,00077	0,003	2,6	500V FA 0,125 A 6.32 AL	B208197	MI6FAP50V0,125
		0,160		0,002	0,008	2,0	500V FA 0,160 A 6.32 AL	C208198	MI6FAP50V0,16
		0,200		0,0046	0,017	1,7	500V FA 0,200 A 6.32 AL	D208199	MI6FAP50V0,2
		0,250		0,009	0,035	1,55	500V FA 0,250 A 6.32 AL	E208200	MI6FAP50V0,25
		0,315		0,016	0,060	1,45	500V FA 0,315 A 6.32 AL	F208201	MI6FAP50V0,315
		0,400		0,03	0,11	1,40	500V FA 0,400 A 6.32 AL	G208202	MI6FAP50V0,4
		0,500		0,05	0,20	1,40	500V FA 0,500 A 6.32 AL	H208203	MI6FAP50V0,5
		0,630		0,12	0,45	1,15	500V FA 0,630 A 6.32 AL	J208204	MI6FAP50V0,63
		0,800		0,25	0,92	1,0	500V FA 0,800 A 6.32 AL	K208205	MI6FAP50V0,8
		1,000		0,11	0,30	0,71	500V FA 1,000 A 6.32 AL	N207104	MI6FAP50V1
		1,250		0,26	0,75	0,55	500V FA 1,250 A 6.32 AL	M208207	MI6FAP50V1,25
		1,600		0,39	1,1	0,65	500V FA 1,600 A 6.32 AL	N208208	MI6FAP50V1,6
		2,000		0,81	2,2	0,55	500V FA 2,000 A 6.32 AL	P208209	MI6FAP50V2
		2,500		1,44	4	0,52	500V FA 2,500 A 6.32 AL	Q208210	MI6FAP50V2,5
		3,150		2,46	7	0,53	500V FA 3,150 A 6.32 AL	R208211	MI6FAP50V3,15
4,000	4,6	14	0,48	500V FA 4,000 A 6.32 AL	S208212	MI6FAP50V4			
5,000	11	30	0,37	500V FA 5,000 A 6.32 AL	T208213	MI6FAP50V5			
6,300	1,1	20	0,22	500V FA 6,300 A 6.32 AL	C208037	MI6FAP50V6,3			

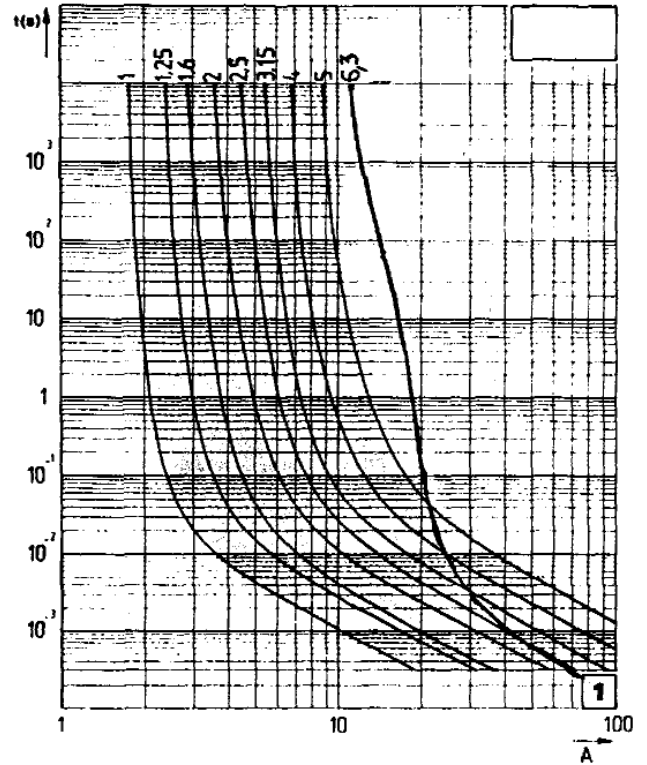
Axial leads 6x32 500V - FA "AL" Very Fast Acting

Time-current characteristics

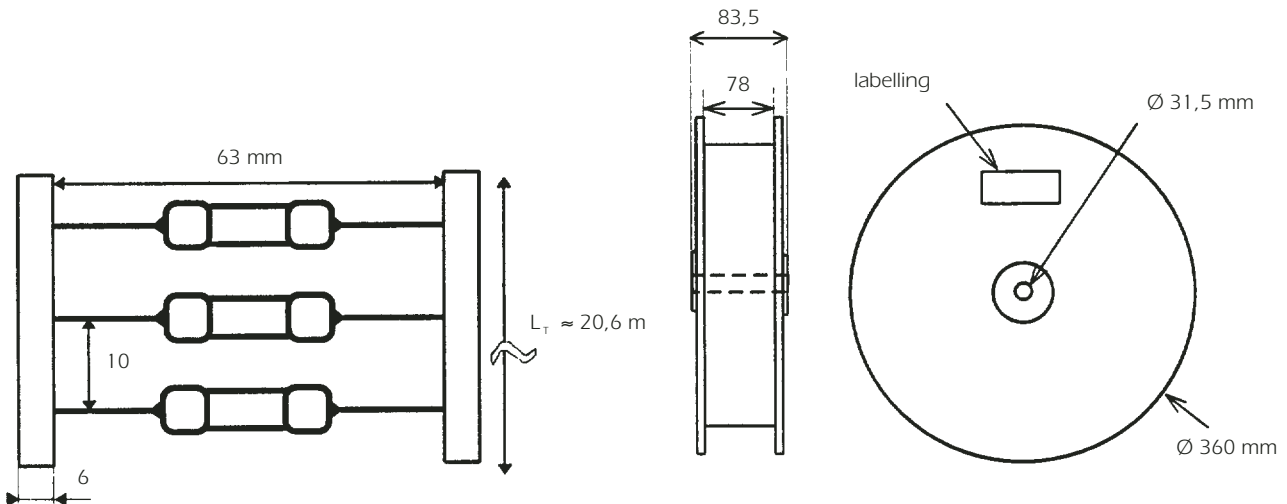
500V FA 6x32 AL



500V FA 6x32 AL



Packaging: in tape per 1500 pieces



Installation instruction

Soldering heat resistance : according IEC 68-2-20 / 260°C for 10 seconds.

Material:

Body: ceramic tube

Connection: Tin plated copper

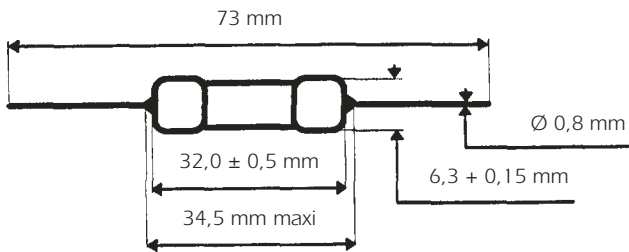


Axial leads 6x32 690V - FA "AL" Very Fast Acting

Approvals UL recognized E 76491

BETWEEN 0,1 TO 2 A

Dimensions



Max weight : 2,8 g



Basic Characteristics

Size	Rated Voltage	Rated Current	Breaking Capacity under 660 V AC	[I ² t] Pre-arcing	[I ² t] Total clearing at 660 V	Max voltage drop at I _n	Designation	Reference Number	Catalog Number
mm	VAC	A		A ² s		V			
6,3 x 32	690	0,100	30 kA cos φ ≥ 0,2	0,00057	0,0037	2,75	690V FA 0,100 A 6.32 AL	V208214	MI6FAP69V0,1
		0,125		0,00077	0,005	2,6	690V FA 0,125 A 6.32 AL	W208215	MI6FAP69V0,125
		0,160		0,002	0,014	2,0	690V FA 0,160 A 6.32 AL	X208216	MI6FAP69V0,16
		0,200		0,0046	0,030	1,7	690V FA 0,200 A 6.32 AL	Y208217	MI6FAP69V0,2
		0,250		0,009	0,060	1,55	690V FA 0,250 A 6.32 AL	Z208218	MI6FAP69V0,25
		0,315		0,016	0,10	1,45	690V FA 0,315 A 6.32 AL	A208219	MI6FAP69V0,315
		0,400		0,03	0,20	1,40	690V FA 0,400 A 6.32 AL	B208220	MI6FAP69V0,4
		0,500		0,05	0,33	1,40	690V FA 0,500 A 6.32 AL	C208221	MI6FAP69V0,5
		0,630		0,12	0,8	1,15	690V FA 0,630 A 6.32 AL	D208222	MI6FAP69V0,63
		0,800		0,18	1,2	1,15	690V FA 0,800 A 6.32 AL	E208223	MI6FAP69V0,8
		1,000		0,11	0,48	0,75	690V FA 1,000 A 6.32 AL	F208224	MI6FAP69V1
		1,250		0,17	0,76	0,70	690V FA 1,250 A 6.32 AL	G208225	MI6FAP69V1,25
		1,600		0,39	1,7	0,65	690V FA 1,600 A 6.32 AL	Y206285	MI6FAP69V1,6
2,000	0,81	3,5	0,55	690V FA 2,000 A 6.32 AL	D208038	MI6FAP69V2			

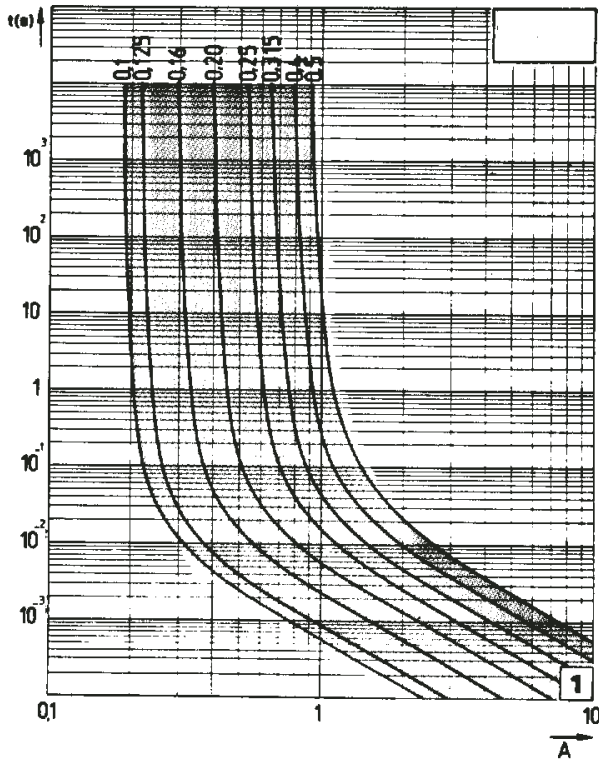
Axial leads

6x32

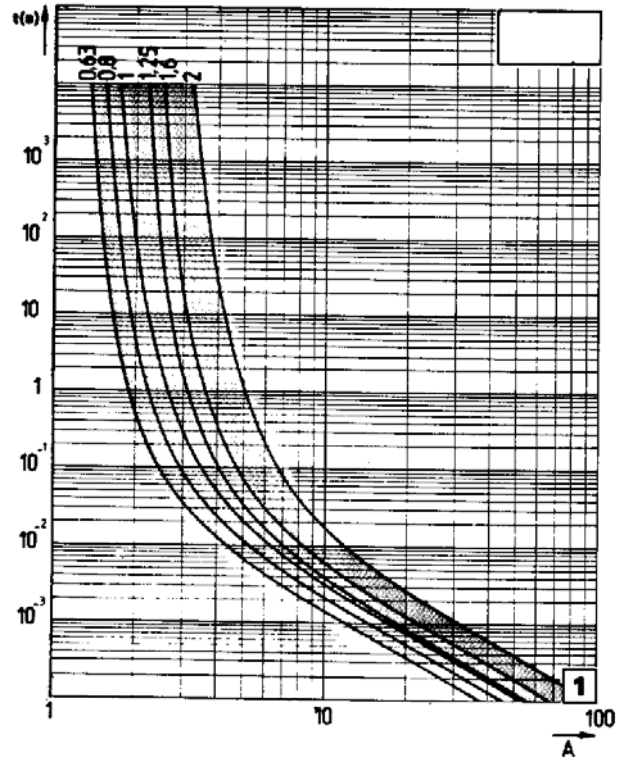
690V - FA "AL" Very Fast Acting

Time-current characteristics

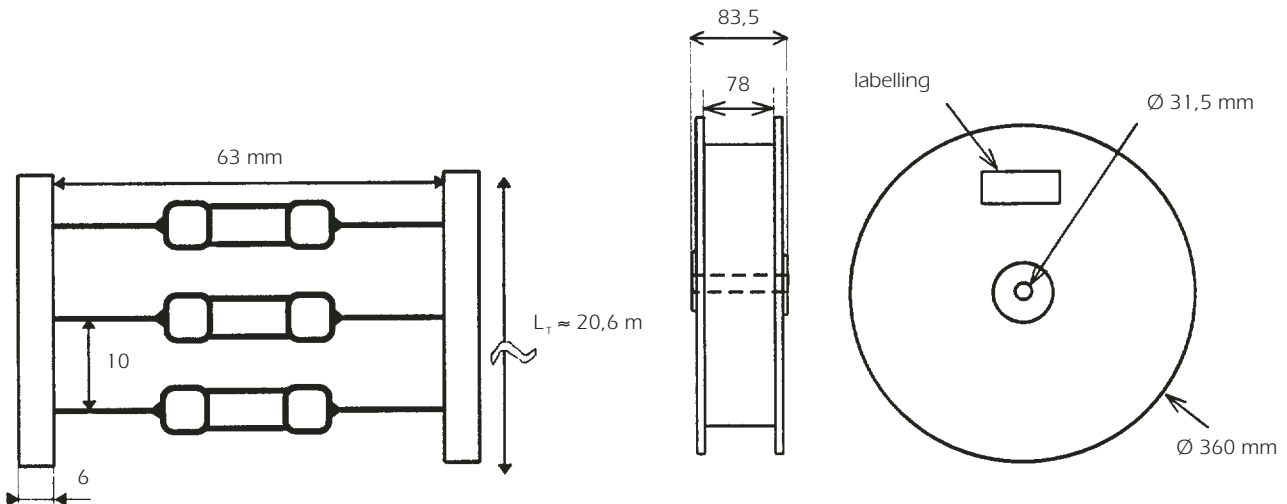
660V FA 6,3x32 AL



660V FA 6,3x32 AL



Packaging: in tape per 1500 pieces



Installation instruction

Soldering heat resistance : according IEC 68-2-20 / 260°C for 10 seconds.

Material:

Body: ceramic tube

Connection: Tin plated copper