



Semiconductor Fuses American Round Body Fuse Blocks for Form 101 (American Round)



P243/P266/P292

Ferraz Shawmut P243 and P266 series fuse blocks for Form 101 fuses are glass-filled polycarbonate or laminated phenolic insulator blocks with studs to accommodate bolt-in fuses. The P292 series has a laminated phenolic insulator base with fuse clips. All studs, clips and mounting hardware are tin or zinc plated.

Ratings

- 1 to 1000A
- Clip Type: 1200VAC or less
- Stud Type: 1000VAC or less

Approvals

- UL Recognized Component Guide IZLT2, File E52283
- CSA Certified Class 6225, File 32169

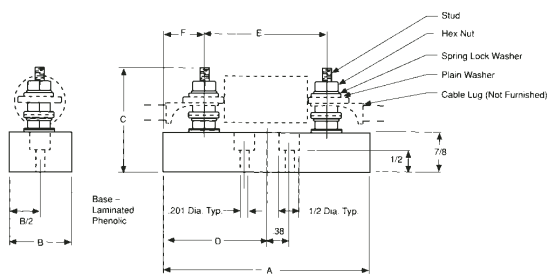


Figure 1

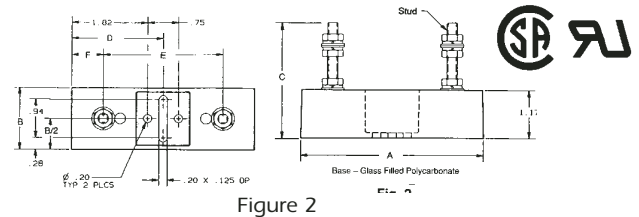


Figure 2

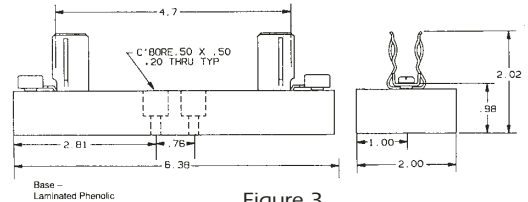


Figure 3

Dimensions

For use with	Amps	Catalog Number	Ref. Number	FIG.	Dimensions - Inches						Stud Size	Stud Torque lb-In
					A	B	C	D	E	F		
A13X, A15QS	70-450	P243D	C219560	2	4.40	1.50	2.79	2.20	2.06	1.17	1/4-20	36
A13X, A15QS	500-600	P243G	H222762	2	4.40	1.50	2.79	2.20	2.44	0.98	5/16-18	84
A25X, A25Z, A30QS	35-60	P243G	H222762	2	4.40	1.50	2.79	2.20	2.44	0.98	5/16-18	84
A25X, A25Z, A30QS	70-200	P243	T218517	1	4.50	1.50	2.50	2.25	2.38	1.06	1/4-20	36
A25X, A25Z, A30QS	225-600	P243G	H222762	2	4.40	1.50	2.79	2.20	2.44	0.98	5/16-18	84
A50P	35-60	P243G	H222762	2	4.40	1.50	2.79	2.20	2.44	0.98	5/16-18	84
A50P, A50QS	70-200	P243E	X222016	2	4.40	1.50	2.79	2.20	2.88	0.76	1/4-20	36
A50P, A50QS	225-600	P266C	K212897	1	6.00	2.00	3.00	3.00	3.28	1.36	3/8-16	144
A60X, A60Z, A70QS	35-200	P243C	M219040	2	4.40	1.50	2.79	2.20	3.62	0.39	1/4-20	36
A60X, A60Z	225-600	P266A	Y212380	1	6.00	2.00	3.00	3.00	4.06	0.97	3/8-16	144
A70P, A70Q	35-100	P243C	M219040	2	4.40	1.50	2.79	2.20	3.62	0.39	1/4-20	36
A70P, A70Q	125-400	P266A	Y212380	1	6.00	2.00	3.00	3.00	4.06	0.97	3/8-16	144
A70P, A70Q	450-600	P266F	S213410	1	8.00	2.50	3.00	4.00	5.09	1.45	3/8-16	144
A100P	35-100	P266G	Z214428	1	6.00	2.00	2.50	3.00	4.25	0.88	1/4-20	36
A100P	125-400	P266L	J215955	1	6.00	2.00	3.00	3.00	4.66	0.67	3/8-16	144
A120X	1-30	P292	T216976	3	-	-	-	-	-	-	-	-
A30QS, A025	700-800	FH25F4	-	1	6.00	2.00	3.00	3.00	2.66	1.67	3/8-16	144
A50QS	700-800	FH50F4	-	1	8.00	2.50	3.00	4.00	4.21	1.84	1/2-13	360I
A50QS	900-1000	FH50F5	-	1	8.00	2.50	3.00	4.50	4.97	1.50	1/2-13	360
A70QS	450-600	FH70F3	-	1	8.00	2.50	3.00	4.00	5.09	1.91	1/2-13	360

Note: FH Blocks are 1" thick.
* Not UL or CSA Certified



Semiconductor Fuses American Round Body Modular 1SC/1MSC

1SC/1MSC

Ferraz Shawmut 1SC and 1MSC semiconductor fuse blocks feature modular mounting that offers greater flexibility in adjusting to various fuse lengths. Both stud type and integral box connector versions are offered to allow for user preference of wire terminations. The integral box connector versions also provide for greater heat dissipation. All modular blocks are supplied in pairs but need to be ordered as two items to suit one fuse. Mounting hardware is supplied with the blocks.



Highlights

- Modular two-piece design
- Compact footprint
- Stud versions
- Heat dissipating integral box connector versions
- Accommodates a large range of semiconductor fuses
- Rugged phenolic insulators

Ratings

- 600VAC (1MSC)
- 1000 VAC (1SC)
- up to 800 amperes

Approvals

- UL Recognized Component Guide IZLT2, File E171957

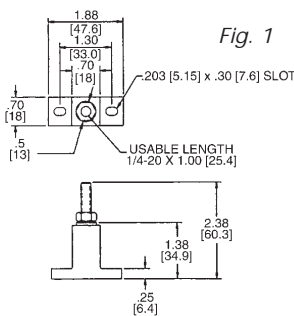


Fig. 1

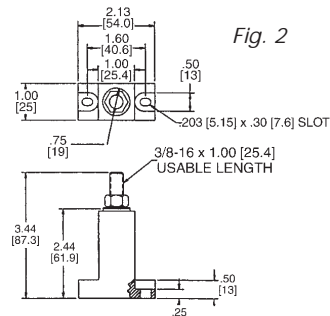


Fig. 2

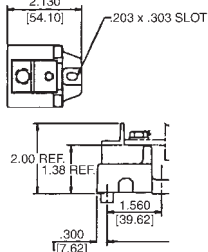


Fig. 3

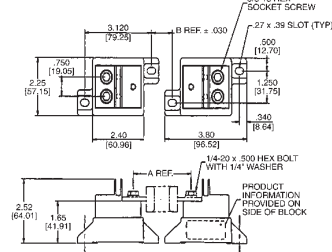


Fig. 4

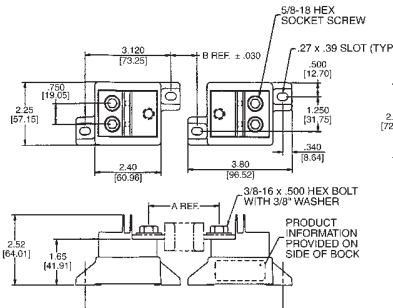


Fig. 5

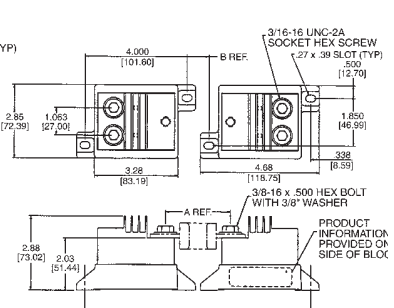


Fig. 6

Dimensions

Catalog Number	Ref. Number	Voltage Rating	Ampere Rating	UR	Type	Connector		Hardware		Tightening Torque lb-In		Fig.
						Wire Range		Bolt	Washer	Fuse	Cable	
1SC250	H210595	1,000	400	Yes	1/4" Stud	-	-	-	-	61	61	1
1SC375	Q210579	1,000	800	Yes	3/8" Stud	-	-	-	-	192	192	2
1MSC101	C234970	600	100	Yes	Al Box	Al/Cu 2/0 - #6	1/4"	0.655"	120	120	120	3
1MSC102	C234971	600	400	Yes	Al Box	Al/Cu (2) 250kcmil - #6	1/4"	0.655"	275	275	275	4
1MSC103	M210024	600	400	Yes	Al Box	Al/Cu (2) 250kcmil - #6	3/8"	0.900"	275	275	275	5
1MSC104	D210890	600	600	Yes	Al Box	Al/Cu (2) 250kcmil - #6	3/8"	0.900"	375	375	375	6
1MSC108	E234972	2,500	400	No	Al Box	Al/Cu (2) 250kcmil - #6	1/4"	0.655"	275	275	275	*
1MSC109	F234973	2,500	400	No	Al Box	Al/Cu (2) 250kcmil - #6	3/8"	0.900"	275	275	275	*
1MSC110	G234974	5,000	400	No	Al Box	Al/Cu (2) 250kcmil - #6	3/8"	0.900"	275	275	275	*

*Consult Factory



Semiconductor Fuses American Round Body Modular 703/U705/U710



703, U705, U710 750V SEMICONDUCTOR FUSE HOLDERS

Ferraz Shawmut Semiconductor Fuse Holders feature open face styles. Each version is rated 750 volts and accommodates 14 x 51 mm or 22 x 58 mm fuses. 703, U705 and U710 holders feature Ferraz Shawmut's unique adder-block design which can be snapped onto 1-, 2-, or 3-pole blocks to form multi-pole segmented blocks of as many poles as desired. A choice of box, screw or pressure plate connectors is offered to fit a wide range of standard or solid copper wire. All versions have verified dielectric strengths in excess of 2500V. A patented built-in DIN rail adapter on the U710 blocks adds further design versatility. All fuse clips are made of high conductivity tin-plated copper with spring reinforced clips.

Ratings

- 750V AC
- 30A (703)
- 50A (U705)
- 100A (U710)
- Withstand Rating: 200kA I.R.

Approvals

- UL Recognized Component, Guide IZLT2, File E52283
- CSA Certified, Class 6225, File 32169



Highlights

- Thermoplastic bases
- DIN Rail (U710) or Screw Mount
- Adder block design

Applications:

- All circuits up to 750 volts using semiconductor fuses for protection of small inverters, UPS systems, motor drives, etc.

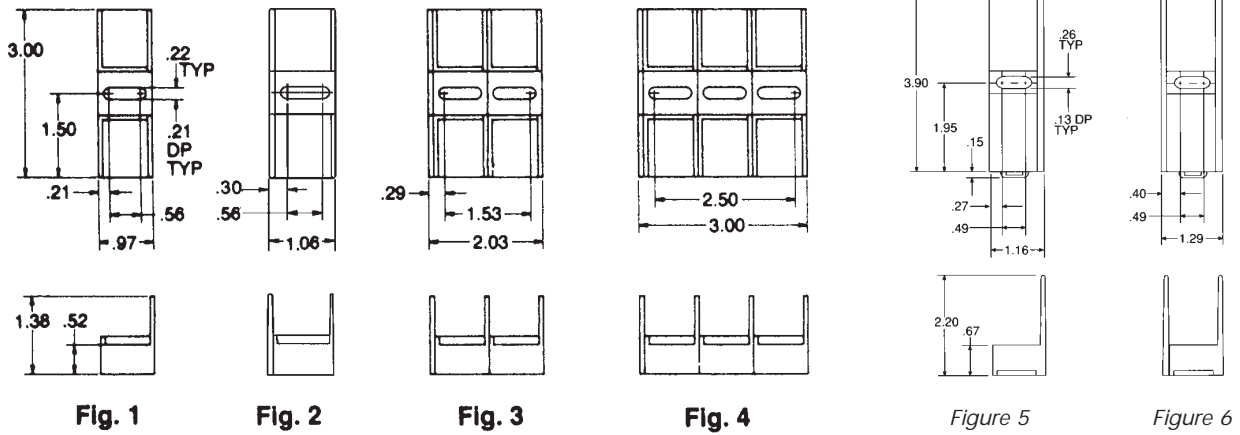
Recommendes fuse usage

- 703 use with 14x51mm A70QS, A70P, URD, gD up to 30A
- U705 use with 14x51mm A70QS, A70P, URD, gD up to 50A
- U710 use with 22x58mm A70QS, URD, up to 100A



Semiconductor Fuses American Round Body Modular 703/U705/U710

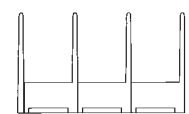
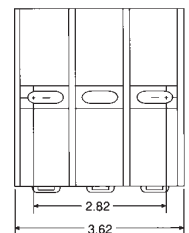
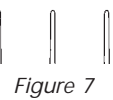
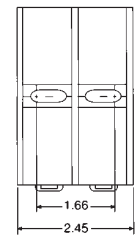
703, U705, U710 750V SEMICONDUCTOR FUSE HOLDERS



Recommended mounting screws; #10 (.190" dia)

750 Volt Fuse Holders for 14 x 51mm & 22 x 58 mm Fuses

Catalog Number	Reference Number	Fuse Size	Ampacity Rating	Poles	Connector		Fig.	Connector Torque (In-lb)
					Type	Wire Range		
U70505		14 x 51	50	Adder	Box	Al/Cu #2-14	1	35
U70506	1							
U70507	2							
U70508	3							
70315		14 x 51	30	Adder	Screw	Cu #10-14	1	20
70316	1							
70317	2							
70318	3							
70325		14 x 51	30	Adder	Pressure Plate	Cu #10-14	1	20
70326	1							
70327	2							
70328	3							
70355		14 x 51	30	Adder	Box	Cu* #4-14	1	35
70356	1							
70357	2							
70358	3							
U71005		22 x 58	100	Adder	Box	Al/Cu #2-14	5	35
U71006	1							
U71007	2							
U71008	3							



*Copper box connectors and clips for copper wires only.

Note: To convert 30A adder pole to single pole, use end barrier #U09322

100A adder pole to single pole, use end barrier #U09372.