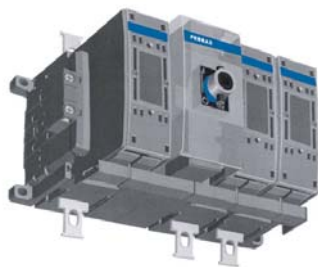




## Fused Switches ITC for Ferrule Fuses 32 to 125A



ITC 125  
(22x58)

ITC 32  
(10x38)



ITC 50  
(14x51)

### SWITCH-DISCONNECTORS - FUSES FOR FERRULE FUSES ITC 32 - 50 - 125 A

- CONTROL:** SIDE OR FRONT HANDLE  
PADLOCKABLE IN OFF-POSITION WITH 3 PADLOCKS.  
SAFE AND RELIABLE INDICATION OF POSITION ON HANDLES.
- INTERRUPTING:** TWIN INTERRUPTING PER PHASE  
FUSE IS COMPLETELY ISOLATED WHEN POSITION IS OFF  
AC23 & DC23 ON-LOAD SWITCHING AND CLOSING
- INTERRUPTING RATING: 25 TO 50  
INSULATION VOLTAGE: 1 000 V
- MECHANISM:** SNAP CONTACTS which ensures rapid disconnection regardless of how fast the user turns the operation handle.
- FIXATION:** ON DIN RAIL  
ON-BOARD OR ON-FRAME FOR CUBICLE BACKGROUND
- CONSTRUCTION:** COMPLYING WITH IEC AND EN 60 947.- I AND -3  
PROTECTION DEGREE (WITH ACCESORIES): IP 2X.  
PROTECTION FOR ANY CLIMATE.  
SILVER-PLATED COPPER ELECTRIC CONTACTS.  
ISOLATING PARTITIONS MADE WITH UL 94 VO MATERIALS.  
PRE-ISOLATING AND BLOWN FUSE INDICATION AS ACCESSORIES.

### Main electrical characteristics

			ITC 32	ITC 50	ITC 125
Rated operational current at ambient	40°C (1)	Ith	32	50	125
Rated operational current under cover	40°C	Ithe	32	50	125
Rated insulation voltage (Ui)	Pollution class 3	V	1000	1000	750
Rated operational voltage AC-20 DC-20		V	1000	1000	750
Rated impulse withstand voltage		kV	12	12	12
Fuse Size			10 x 38	14 x 51	22 x 58
Max power loss / fuse to Ith		W	3	7,5	12
RMS Prospective short-circuit current with aM or gG class FerrazShawmut Fuses.		kA	25	50	50
Fuses Rating		A	32	50	125
Permissible peak let-through current		kA	6	14	14
Rated operating current AC-21-A / AC-22-A	≤ 500 V 690 V	A	32 32	50 50	125 125 *
Rated operating current AC-23-A	≤ 500 V 690 V	A	32 32	50 50 *	100 50 *
Rated operating power Ac-23 (kW) with a 3-phase 1,500 rpm standard asynchronous motor at	400 V 500 V 690 V	kW	14 18 25	25 33 45	55 70 45
AC-23 Interrupting rating : I <sub>c</sub> at cosφ = 0.35) under rated operating voltage (U <sub>e</sub> )	≤ 500 V 690 V	A	256 256	504 504	800 405
DC-23-A rating operating current/ poles in series** for	110-220 V 440 V 500-750 V	A	32/2 32/4 .....	consult us	125/3 100/4 * .....
RMS permissible short duration (1.5) rated current		kA	1	2,5	5
Mechanical endurance : operation cycles number (1 cycle = 1 opening + 1 closing of contacts)			10 000	10 000	10 000
Electrical endurance : operation cycles number at I <sub>e</sub> and cosφ 0.65	≤ 500 V 690 V		..... 1500	.....	1500 *** .....
Power loss per pole (without fuses)		W	2	2,5	5

(1) For ambient temperature 50°C : x 0.9 - 60°C : x 0.8 ; for horizontal fuse : x 0.9. \* Use in class B \*\*\* To be achieved by user  
\*\*\* Test at 100 A



## Fused Switches ITC for Ferrule Fuses 32 to 125A

### Standard switch - Fuses

The following items are supplied separately.  
For additional adaptations refer to Accessories section and order selected reference numbers.

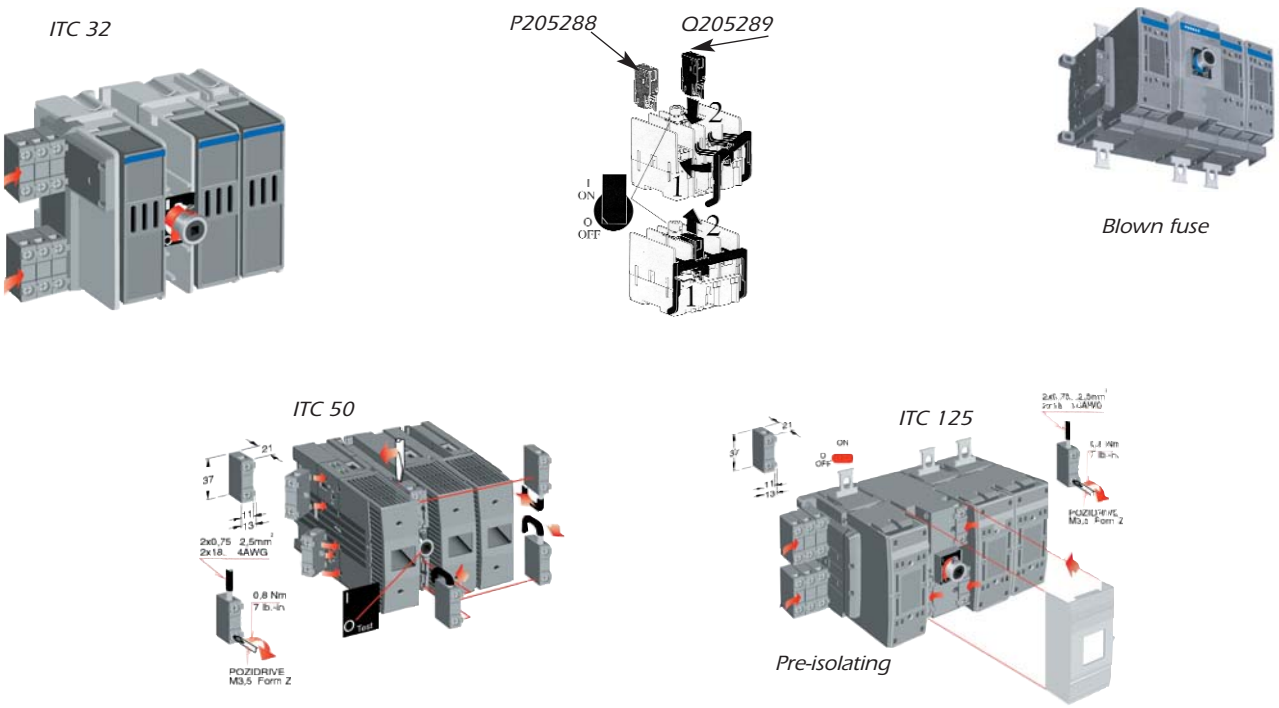
Type	Pole	Designation	Reference Number	Catalog Number
10x38 32 A	3	ITC 32 III 10x38	J 205283	ITC32S3CF
	3+N	ITC 32 III+N 10x38	K 205284	ITC32S3NCF
	4	ITC 32 IV 10x38	L 205285	ITC32S4CF
14x51 50 A	3	ITC 50 F III 14x51	Y 209896	ITC50S3CF
	4	ITC 50 F IV 14x51	Z 209897	ITC50S4CF
22x58 125 A	3	ITC 125F III 22x58	L 210782	ITC125S3CF
	3+N	ITC 125F III+N 22x58	M 210783	ITC125S3NCF
	4	ITC 125F IV 22x58	N 210784	ITC125S4CF
10x38 32 A	3	ITC 32 M III 10x38 CDE LAT	F 210087	ITC32S3CL
	4	ITC 32 M IV 10x38 CDE LAT	G 210088	ITC32S4CL
14x51 50 A	3	ITC 50 FS III 14x51 CDE LAT	D 209901	ITC50S3CL
	4	ITC 50 FS IV 14x51 CDE LAT	E 209902	ITC50S4CL
22x58 125 A	3	ITC 125 M III 22x58 CDE LAT	P 210785	ITC125S3CL
	4	ITC 125 M IV 22x58 CDE LAT	R 210787	ITC125S4CL

FRONT

SIDE



### Mounting of pre-isolating and blown fuse-indicator microswitch





## Fused Switches ITC for Ferrule Fuses 32 to 125A

### Accessories

### Reference Number

HANDLE	Size	Pre-isolating microswitch	Blownfuse microswitches	Protection against live terminal touching	Protection against fuse touching	Inside handle padlockable	Outside handle padlockable supplied with shaft	Shaft extension
		Single microswitch ① One contact NO or NC ② Reversing (NO/NC)	③ One contact NO + one contact NC ② Reversing (NO/NC)	For protection upstream and downstream order two pieces		See control handle bulk	Distance between switch and handle See bulk Black (Red and Yellow)	Distance max. between switch and handle is - 60 mm compare with the shaft length L
FRONT	3 3+N 4 10x38 32 A	② P 205288 (NO/NC) or G210663+ ① H 209882(NC) ① L 207493(NO)	② Q205289 ② R205290 ② R205290	Original	Original	N205287	V 209916 (C 210084)	H 081703 (L = 265 mm)
	3 4 14x51 50 A	① H 209882(NC) ① L 207493(NO)	③ Z210104 ③ A210105	Original	Original	E210109	M 209909 (N 209910)	B 210106 (L = 290 mm)
	3 3+N 4 22x58 125 A	① H 209882(NC) ① L 207493(NO)	③ A210473	N 210807 (1 per terminal)	Original	E210109	M 209909 (N 209910)	C 210107 (L = 430 mm)
SIDE	3 4 10x38 32 A	② P 205288 (NO/NC)	② Q205289 ② R205290	Original	Original	N205287	A 210082 (B 210083)	H 081703 (L = 265 mm)
	3 4 14x51 50 A	① L 207493(NO) ① H 209882(NC)	③ Z210104 ③ A210105	Original	Original	E210109	D 210085 (E 210086)	B 210106 (L = 290 mm)
	3 4 22x58 125 A	① L 207493(NO) ① H 209882(NC)	③ A210473	N 210807 (1 per terminal)	Original	E210109	D 210085 (E 210086)	C 210107 (L = 430 mm)

### Catalog Number

HANDLE	Size	Pre-isolating microswitch	Blownfuse microswitches	Protection against live terminal touching	Protection against fuse touching	Inside handle padlockable	Outside handle padlockable supplied with shaft	Shaft extension
		Single microswitch ① One contact NO or NC ② Reversing (NO/NC)	③ One contact NO + one contact NC ② Reversing (NO/NC)	For protection upstream and downstream order two pieces		See control handle bulk	Distance between switch and handle See bulk Black (Red and Yellow)	Distance max. between switch and handle is - 60 mm compare with the shaft length L
FRONT	3 3+N 4 10x38 32 A	② FOITC32 NO/NC or ADAPTITC32FO ① FOITC32/160NC ① FOIT25/125ETNC	② DITC323 NO/NC ② DITC323N/4NO/NC ② DITC323N/4NO/NC	Original	Original	PIITC32	PENITC32 (PERJITC32)	A265ITC32 (L = 265 mm)
	3 4 14x51 50 A	① FOITC32/160NC ① FOIT25/125ETNC	③ DITC503 NO/NC ③ DITC50NO/NC3N/4	Original	Original	PIITC50/160	PENITC32/160 (PERJIT160)	A290ITC50/160 (L = 290 mm)
	3 3+N 4 22x58 125 A	① FOITC32/160NC ① FOIT25/125ETNC	DITC125NO/NC3/4	CBITC125/160 (1 per terminal)	Original	PIITC50/160	PENITC32/160 (PERJIT160)	A430ITC50/160 (L = 430 mm)
SIDE	3 4 10x38 32 A	② FOITC32 NO/NC	② DITC323 NO/NC ② DITC323N/4NO/NC	Original	Original	PIITC32	PENITC32L (PERJITC32L)	A265ITC32 (L = 265 mm)
	3 4 14x51 50 A	① FOIT25/125ETNC ① FOITC32/160NC	③ DITC503 NO/NC ③ DITC50NO/NC3N/4	Original	Original	PITC50/160	PENITC50/160 (PERJITC50/160)	A290ITC50/160 (L = 290 mm)
	3 4 22x58 125 A	① FOIT25/125ETNC ① FOITC32/160NC	DITC125NO/NC3/4	CBITC125/160 (1 per terminal)	Original	PITC50/160	PENITC50/160 (PERJITC50/160)	A430ITC50/160 (L = 430 mm)



## Fused Switches ITC for Ferrule Fuses 32 to 125A

### Ready to install complete switch

Switch with direct handle outside handle (1) + Auxiliary preisolating contacts (2No + 2Nc) + protection against live touching (fuses and terminals)"

### Front handle-switch

Current rating Ith	Poles	Designation	Reference Number	Catalog Number
32	3	ITC 32CIII 10x38 CF/N&R SF	Y235311	ITC32C3CFNSF
	3 + N	ITC 32CIII+N 10x38 CF/N&R SF	Z235312	ICT32C3NCFNSF
	4	ITC 32CIV 10x38 CF/N&R SF	A235313	ITC32C4CFNSF
50	3	ITC 50CIII 14x51 CF/N&R SF	L235323	ITC50C3CFNSF
	3 + N	ITC 50CIII+N 14x51 CF/N&R SF	M235324	ITC50C3NCFNSF
	4	ITC 50IV 14x51 CF/N&R SF	N235325	ITC50C4CFNSF
125	3	ITC 125CIII 22x58 CF/N&R SF	Z235335	ITC125C3CFNSF
	3 + N	ITC 125CIII+N 22x58 CF/N&R SF	A235336	ITC125C3NCFNSF
	4	ITC 125CIV 22x58 CF/N&R SF	B235337	ITC125C4CFNSF

### Side handle switch

Current rating Ith	Poles	Designation	Reference Number	Catalog Number
32	3	ITC 32CIII 10x38 CL/N&R SF	E235317	ITC32C3CLNSF
	3 + N	ITC 32CIII+N 10x38 CL/N&R SF	F235318	ICT32C3NCLNSF
	4	ITC 32CIV 10x38 CL/N&R SF	G235319	ITC32C4CLNSF
50	3	ITC 50CIII 14x51 CL/N&R SF	S235329	ITC50C3CLNSF
	3 + N	ITC 50CIII+N 14x51 CL/N&R SF	T235330	ITC50C3NCLNSF
	4	ITC 50IV 14x51 CL/N&R SF	V235331	ITC50C4CLNSF
125	3	ITC 125CIII 22x58 CL/N&R SF	F235341	ITC125C3CLNSF
	3 + N	ITC 125CIII+N 22x58 CL/N&R SF	G235342	ITC125C3NCLNSF
	4	ITC 125CIV 22x58 CL/N&R SF	H235343	ITC125C4CLNSF

(1) length of shaft outside handle: 32A = 265 mm, 50A = 430 mm, 125A = 430 mm

### Microswitch Characteristics

Reference Number	Minimum for safe operation	Maximum for operation in AC 12	Applications	
② P205288 ② Q205289 ② R205290	24 V 25 mA AC / DC	24V - 6A DC12	Single microswitch standard	NO/NC NO/NC 4NO/NC
① H209882 ① L207493		440V - 2A AC15		NC NO
③ Z210104 ③ A210105 ③ A2100473		690V - 2A AC15	Twin microswitch standard	1 NO + 1 NC 1 NO + 1 NC 1 NO + 1 NC

### Inside Control handle bulk

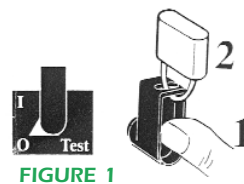


FIGURE 1

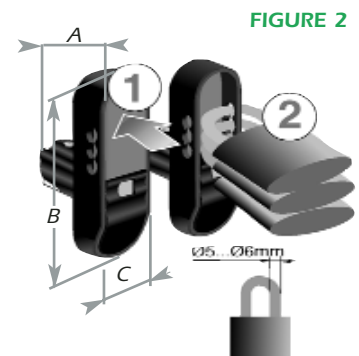


FIGURE 2

### Insulating, padlockable inside front handle

Reference Number	Switch Model	A	B	C	Weight (kg)	Figure	Catalog number
N 205287	ITC 32	40	50	22	0,1	1	PIITC32
E 210109	ITC 50 & 125	50	70	20	0,15	2	PIITC50/160



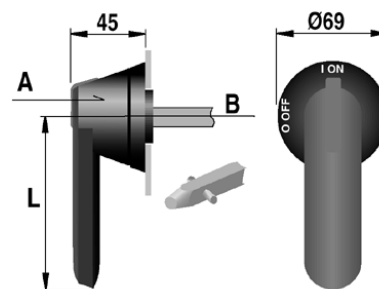
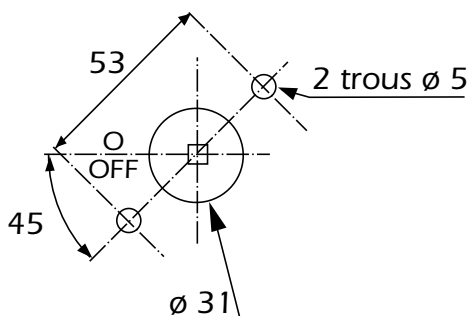
## Fused Switches ITC for Ferrule Fuses 32 to 125A

### Control handles dimensions

#### Insulating, padlockable outside front handle

Reference Number	Switch Model	L mm	■ mm	Weight (kg)	Figure
V 209916					
C 210084	ITC 32	65	5	0,1	1
M 209909	ITC 50F				
N 209910	ITC 125F	80	6	0,1	1

FIGURE 1



#### Insulating, padlockable outside front handle

Reference Number	Switch Model	L mm	■ mm	Weight (kg)	Figure
A 210082					
B 210083	ITC 32M	65	5	0,1	2
D 210085	ITC 50FS				
E 210086	ITC 125M	80	6	0,1	2

FIGURE 2

