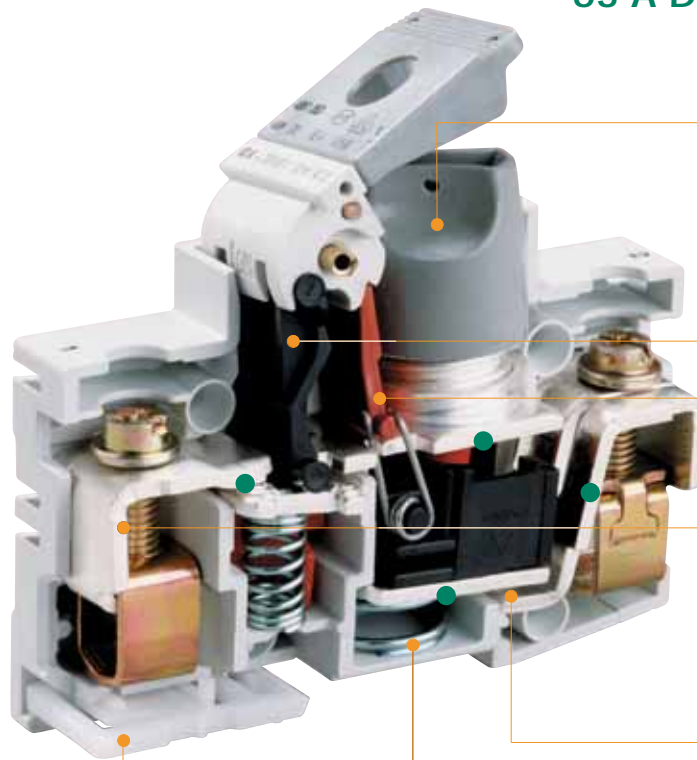




# Gears & Fuse Gears

## IEC General Purpose Fuses DIN Fuses Fuse Switch-disconnectors

### D0 LINO CUR Switch-Disconnecter for NEOZED Fuses 63 A D02 230/400 VAC (440VAC)



*New ergonomically designed screw caps*

*Switch-disconnector with spring-operated mechanism for automatic connection*

*Locking device*

*Dual-function terminal*

*Break contact guarantees complete, safe isolation with infeed from above*

*Foot contact spring guarantees constant contact pressure*

*Snap-in spring catch*

● *Triple automatic safety feature*

## Specifications

DIN VDE 0638  
EN 60947-3  
DIN VDE 0660 Part 107  
IEC 60947-3  
EN 60947-3  
VBG4m

D0 LINO CUR combines a fuse base and separately mounted NEOZED 63 A switches in one enclosure. As principle of their operation, both switches are open when the device is disconnected and when the fuse-link is removed.

## Approval Symbols



Germany



Bureau Veritas



Austria



British Lloyd's Register of Shipping



Denmark



Bureau Veritas



German Lloyd



## IEC General Purpose Fuses DIN Fuses Fuse Switch-disconnectors

### D0 LINO CUR Switch-Disconnecter for NEOZED Fuses 63 A D02 230/400 VAC (440VAC)

#### Operating Principle

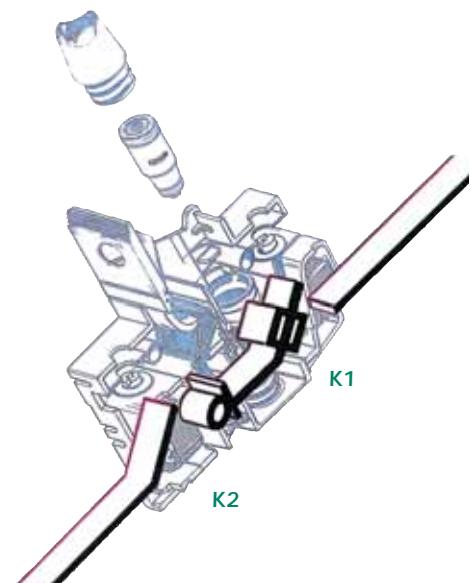
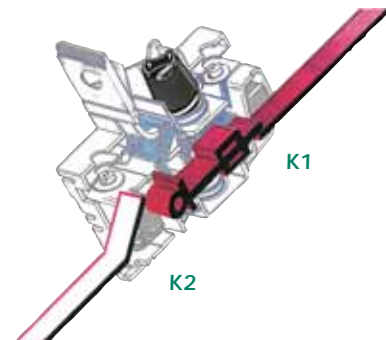
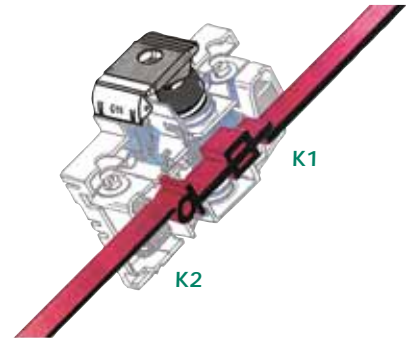
- The D0 LINO CUR combines a fuse base and two separately mounted switches (K1 & K2) in one enclosure.
- As a principle of operation, both switches are open when the device is disconnected and when the fuse-link is removed.
- Switch K1 is a switch-disconnector as per DIN VDE 0660 Part 107, and provides for on-load disconnection of electrical equipment.
- Switch K2 is designed as break contact without load-switching capacity and guarantees complete isolation of the fuse component when infeed is from above and the fuse-link is removed.
- Switch K2 can only be activated when switch-disconnector K1 is open, guaranteeing complete isolation of the device

#### Connection in Circuit

D0 LINO CUR can only be connected in circuit when the fuse-link (or all fuse-links in multi-pole equipment) is firmly screwed in by its screw cap. Switch K2 closes simultaneously as the fuse-link is screwed in. The fuse component is then live when infeed is from above. On activating the switch knob, the load is connected automatically by a spring-operated mechanism, switch K1 closes and D0 LINO CUR is energized.

#### Disconnection and Fuse Changes

Switch-disconnector K1 opens when the switch knob is turned to the "OFF" position. The electrical load is disconnected on-load from mains and LINO CUR is de-energized. If a fuse needs to be changed, K2 opens automatically as the fuse-link is unscrewed, ensuring that when infeed is from above, the fuse component is fully isolated.





# Gears & Fuse Gears

## IEC General Purpose Fuses DIN Fuses Fuse Switch-disconnectors

### D0 LINO CUR Switch-Disconnecter for NEOZED Fuses 63 A D02 230/400 VAC (440VAC)

#### D0 LINO CUR Switch-disconnector 400 VAC, D01



Rated current (A)	Number of poles	Modular spacing	Conductor cross-section mm <sup>2</sup> max.	Prev. Ref.	Ref. Number	Catalog Number	Pack
to 16	1	1	6	02811.016000	V213021		5
to 16	2	2	6	02812.016000	E215560		2
to 16	3	3	6	02813.016000	M216073		1

#### D0 LINO CUR Switch-disconnector 400 VAC, D02

sealable, with snap-on mounting for top-hat rails as per DIN EN 50022



Rated current (A)	Number of poles	Modular spacing	Conductor cross-section mm <sup>2</sup> max.	Prev. Ref.	Ref. Number	Catalog Number	Pack
to 63*	1	1,5	35	04861.063000	P222883		3
to 63*	1+N	3	35	04861.063100	Z200674		2
to 63*	2	3	35	04862.063000	D215053		2
to 63*	3	4,5	35	04863.063000	T219690		1
to 63*	3+N	6	35	04863.063100	A214544		1
Dummy D02				01825.000000	F215055		1

#### D0 LINO CUR Switch-disconnector for construction 440 VAC, D02

sealable, with snap-on mounting for top-hat rails as per DIN EN 50022



Rated current (A)	Number of poles	Modular spacing	Conductor cross-section mm <sup>2</sup> max.	Prev. Ref.	Ref. Number	Catalog Number	Pack
to 63*	1	1,5	35	04861.063040	C215052		3
to 63*	2	3	35	04862.063040	N216074		2
to 63*	3	4,5	35	04863.063040	Z211990		2
to 63*	3+N	6	35	04863.063140	P216075		1

\* LINO CUR is available on request in 25, 35 and 50 A with permanently fitted and non-interchangeable adapter sleeves.

In versions 1+N and 3+N, the N-conductor leads when making and lags when breaking.

\* NEOZED fuse-links and adaptor sleeves are to be ordered as optional extras.



## IEC General Purpose Fuses DIN Fuses Fuse Switch-disconnectors

### D0 LINO CUR Switch-Disconnecter for NEOZED Fuses 63 A D02 230/400 VAC (440VAC)

#### Replacement screw-cap D0 LINO CUR insulating with sealing hole

For base	Rated current in A	Thread / ID colour	Prev. Ref.	Ref. Number	Catalog Number	Pack
with testing hole						
D02	63	E18	01715.000220	C214546		10
without testing hole)						
D02	63	E18	01715.000020	Y213024		10
D01	16	E14	00750.000000	V219691		20



#### Adapter for 40, 50 or 60 mm busbar systems

Version / Cross-section	Prev. Ref.	Ref. Number	Catalog Number	Pack
40 mm System 3 x 63 A				
Mono-A. adjustable 1	02805.100000	E201783		1
Mono-A. adjustable 1	03805.400000	W219692		1
Dual-A. adjustable 2	03807.400000	R212512		1
Dual-A. adjustable 2 mittig	03806.400000	C201735		1
50 mm System 3 x 63 A				
Mono-A. adjustable 1	03805.500000	A222134		1
Dual-A. adjustable 2	03807.500000	Z213025		1
Dual-A. adjustable. 2 mittig	03806.500000	V206604		1
60 mm System 3 x 63 A				
Mono-A. adjustable 1	03805.600000	T222887		1
Dual-A. adjustable 2	03807.600000	X213529		1
Dual-A. adjustable 2 mittig	03806.600000	Q211476		1
Dual-A. adjustable 1	03807.610000	D214547		1
Dual-support adjustable 0	03807.630000	G215056		1







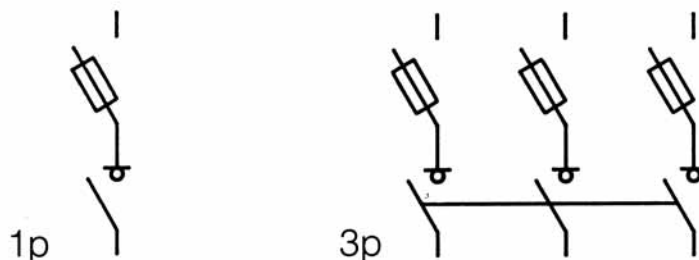
## IEC General Purpose Fuses DIN Fuses Fuse Switch-disconnectors



DO LINOCUR

### Technical Data

- Classification: Switch-disconnector for fuses to DIN VDE 0660 Part 107
- Specifications: DIN VDE 0660 Part 107, EN 60947, IEC 60947-3, DIN VDE 0636 Part 41, IEC 60269-3, DIN VDE 0638, DIN VDE 43880
- Sizes: D02
- Number of poles: 1-, 2-, 3-pole  
2-pole (1+N), 4-pole (3+N)
- Utilization categories: gL-gG, aM, gG nur mit Einschränkung
- Nominal current  $I_n$ : 2 - 63 A
- Nominal voltage  $U_n$ : 1-pole: 230 VAC  
2-, 3-, 4-pole: 400 VAC  
Shipbuilding: 400 VAC  
per pole: 65 VDC
- Nominal frequency: 50 - 60 Hz
- Rated short-circuit breaking capacity: 50 kA
- Application category: AC 22 B  
DC 22 B/ 65 VDC /PoI  
AC 23 B/400 VAC 50 A  
AC 23 B/440 VAC 35 A
- Attachment types/cross-sections: D02: 35 mm<sup>2</sup> M5 Pozidriv screws covered safe from finger-touch to accident prevention norm VBG 4
- Degree of protection: IP 20
- Attachment method: Snap-on mounting on top-hat rails to DIN EN 50022  
Latch-down snap-on device to busbar system using adaptor
- Materials: Impact-resistant insulating material  
RAL 7035 insulating material, self-extinguishing, halogen-free entspr. DIN VDE 0106 Part 100, VBG 4
- Graphical symbol:



# Gears & Fuse Gears

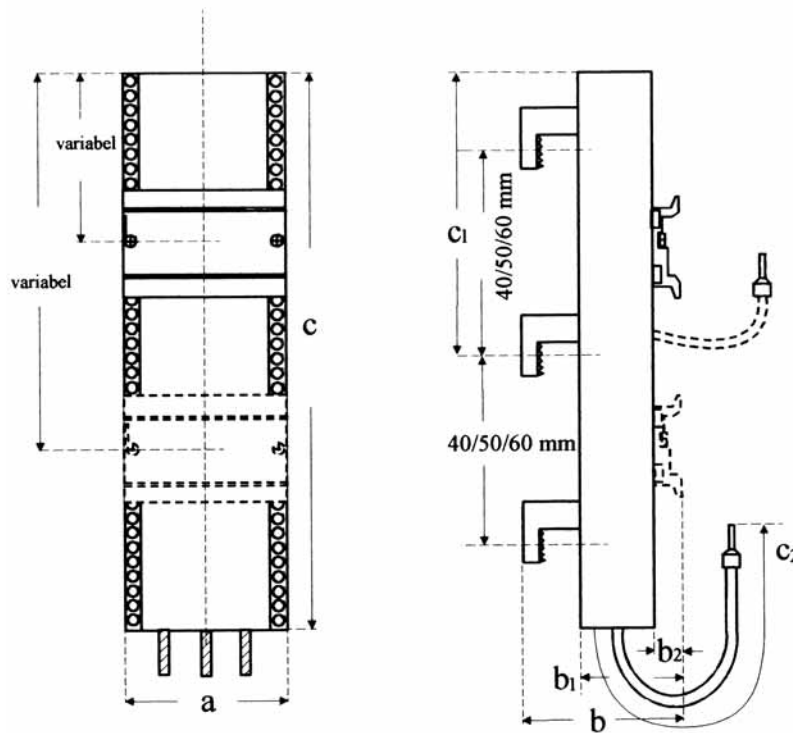
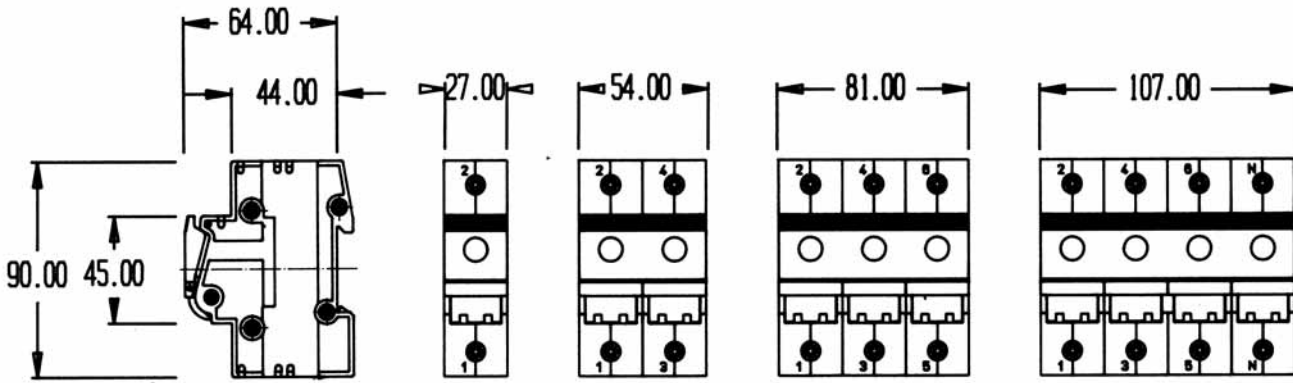


IEC General Purpose Fuses  
 DIN Fuses  
 Fuse Switch-disconnectors

DO LINO CUR

DO LINO CUR Switch-disconnector 400 VAC

Adapter for 40, 50 or 60 mm busbar systems





# Gears & Fuse Gears

## IEC General Purpose Fuses DIN Fuses Fuse Switch-disconnectors

### NEOKIT Switchable Fuse-Base 2 - 16 A, 230/400 VAC

#### Specifications and test marks:

DIN VDE 0638  
DIN VDE 0636  
ÖVE SN 40  
IEC 947-3  
VBG 4, DIN VDE 0106 Part 100  
DIN 43880

#### Approvals



#### Construction:

NEOKIT is a switch-fuse combination enclosed in a common housing. Both the pitch dimensions of the fixtures and the dimensions of the housing comply with DIN 43880.

The depth dimension for switches is 68 mm. NEOKIT is suitable for snap mounting on DIN-rails in accordance with DIN EN 50022. The terminals on both the ingoing and the outgoing sides are shielded to safe-guard against finger or hand contact.

The NEOKIT system allows the fuse to be changed without danger, while preventing the use of higher current-level fuses.

When replacing NEOZED fuse-links, the fixture is turned off. All accessible metal parts are free of current as prescribed in DIN VDE 0106 part 100.

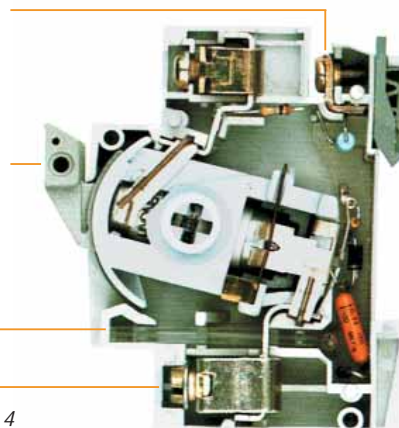
NEOKIT is available either with or without electronic monitoring of operating readiness. For fixtures with monitoring electronics, the N-conductor must be connected.

Neutral terminal  
(continous wiring possible)

Safe to touch when bracket  
is removed

Electronic indicator

Terminal connection,  
DIN VDE 0106 Teil 100, VBG 4





## IEC General Purpose Fuses DIN Fuses Fuse Switch-disconnectors

### NEOKIT Switchable Fuse-Base 2 - 16 A, 230/400 VAC

#### NEOKIT\* - Switchable fuse-base D01 230/400 VAC with indicator,

sealable, with snap mounting for DIN-rails as per DIN EN 50022.

Rated current (A)	Number of Poles	Conductor cross-section (mm)	Previous Ref.	Ref. Number	Catalog Number	Packing
2	1	4	08490.021000	Y218636		10
4	1	4	08490.041000	X219693		10
6	1	4	08490.061000	V222888		10
	2	4	08490.062000	R201219		5
	3	4	08490.063000	W206605		3
10	1	4	08490.101000	A211991		10
	2	4	08490.102000	A213026		5
	3	4	08490.103000	H215057		3
16	1	4	08490.161000	H217610		10
	2	4	08490.162000	Q219158		5
	3	4	08490.163000	C222136		3



#### NEOKIT\*- Switchable fuse-base D01 230/400 VAC without indicator,

sealable, with snap mounting for DIN-rails as per DIN EN 50022.

Rated current (A)	Number of Poles	Conductor cross-section (mm)	Previous Ref.	Ref. Number	Catalog Number	Packing
2	1	4	08490.021100	P219157		10
4	1	4	08490.041100	B222135		10
6	1	4	08490.061100	D200678		10
	2	4	08490.062100	D201736		5
	3	4	08490.063100	R211477		3
10	1	4	08490.101100	S212513		10
	2	4	08490.102100	W214034		5
	3	4	08490.103100	B217098		3
16	1	4	08490.161100	N218121		10
	2	4	08490.162100	Y219694		5
	3	4	08490.163100	W222889		3



\* Fuse-bases are supplied with NEOZED fuse-links.

### NEOKIT - Cartridge key 2 A to 16 A

Model	Previous Ref.	Ref. Number	Catalog Number	Packing
2 A, 400VAC, 1pol.	08490.021009	S201220		10
4 A, 400VAC, 1pol.	08490.041009	E201737		10
6 A, 400VAC, 1pol.	08490.061009	S211478		10
	08490.063009	T212514		10
10 A, 400VAC, 1pol.	08490.101009	B213027		10
	08490.103009	X214035		10
16 A, 400VAC, 1pol.	08490.161009	E214548		10
	08490.163009	H215563		10





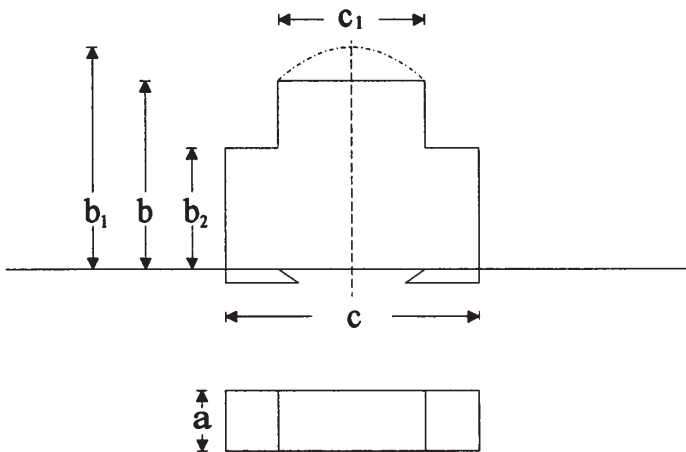


# Gears & Fuse Gears

## IEC General Purpose Fuses DIN Fuses Fuse Switch-disconnectors



NEOKIT



Poles	a	b	b1	b2	c	c1
1p	17,5	68	58	37	77	45
2p	35,5	68	58	37	77	45
3p	53,5	68	58	37	77	45

### Technical specifications

- Classification: Switch-fuse disconnecter for fuses as per DIN VDE 0660 Part 107
- Specifications: DIN VDE 0660 Part 107, EN 60947, IEC 947-3, DIN VDE 0636 Part 41, IEC 269-3, DIN VDE 0638, DIN VDE 43880
- Sizes: D01
- Number of poles: 1-, 2-, 3-pole
- Utilization category: gL-gG
- Nominal current  $I_n$ : 2 - 16 A
- Nominal voltage  $U_n$ : 1-pole: 230 VAC  
2-, 3-pole: 400 VAC
- Nominal frequency: 45 - 62 Hz
- Nominal short-circuit strength: 50 kA
- Application category: AC 22B
- Admissible ambient temperature: -5 bis +40°C  
Mean value over 24 hours: <35°C
- Attachment types/cross-sections: 4 mm<sup>2</sup> clamp-terminals  
Shielded safe from finger-touch as per accident prevention norm VBG4
- Degree of protection: IP 20
- Attachment method: Snap-fitting to top-hat rails to DIN EN 50022  
Latch-on snap-on fitting
- Materials: Impact-resistant insulating material  
RAL 7035 insulating material, self extinguishing, halogen-free