

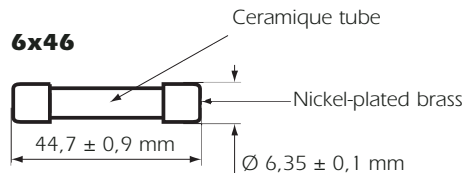
## Very HRC Fuses 6x46 1000V - FA Very Fast Acting

### Ferraz-Shawmut speciality

FROM 0,1 TO 1A

Approvals UL recognized E 76491  
FERRAZ speciality

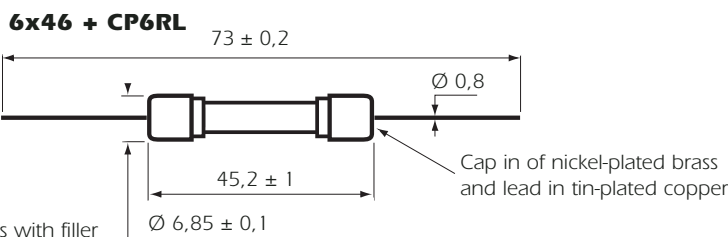
### Dimensions



### Basic Characteristics

Size	Rated Voltage	Rated Current	Breaking Capacity under Un	[I <sup>2</sup> t] Pre-arcing	[I <sup>2</sup> t] Total clearing at Un	Max voltage drop at In	Designation	6x46 References Number	Catalog Number
mm	VAC	A		A <sup>2</sup> s		V			
6,3 x 46	1 000	0.100	30 kA 1000 VAC cos φ ≥ 0,2	0.0002	0.001	6.5	1 000 V FA 0,100A 6 x 46	G076458	MI6FA100V0,1
		0.125		0.0006	0.003	4.4	1 000 V FA 0,125A 6 x 46	H076459	MI6FA100V0,125
		0.160		0.0014	0.006	3.6	1 000 V FA 0,160A 6 x 46	J076460	MI6FA100V0,16
		0.200		0.0022	0.01	3.5	1 000 V FA 0,200A 6 x 46	K076461	MI6FA100V0,2
		0.250		0.004	0.02	3.2	1 000 V FA 0,250A 6 x 46	L076462	MI6FA100V0,25
		0.315		0.008	0.04	2.9	1 000 V FA 0,315A 6 x 46	M076463	MI6FA100V0,315
		0.400		0.017	0.08	2.5	1 000 V FA 0,400A 6 x 46	N076464	MI6FA100V0,4
		0.500		0.036	0.16	2.2	1 000 V FA 0,500A 6 x 46	P076465	MI6FA100V0,5
		0.630		0.59	0.35	1.3	1 000 V FA 0,630A 6 x 46	Q076466	MI6FA100V0,63
		0.800		0.110	0.6	1.2	1 000 V FA 0,800A 6 x 46	R076467	MI6FA100V0,8
1.000	0.230	1.25	1	1 000 V FA 1,000A 6 x 46	P075660	MI6FA100V1			

Ratings lower than 0,1A : please enquire.



Fuses with filler  
Max weight : 2,5 g



### Basic Characteristics

Size	Rated Voltage	Rated Current	Breaking Capacity under Un	[I <sup>2</sup> t] Pre-arcing	[I <sup>2</sup> t] Total clearing at Un	Max voltage drop at In	Designation 6x46 + CP6RL	Reference Number	Catalog Number
mm	VAC	A		A <sup>2</sup> s		V			
6,3 x 46	1 000	0.100	30 kA 1000 VAC cos φ ≥ 0,2	0.0002	0.001	6.5	1 000 V FA 0,100A 6 x 46	W209733	MI6FAP100V0,1
		0.125		0.0006	0.003	4.4	1 000 V FA 0,125A 6 x 46	X209734	MI6FAP100V0,125
		0.160		0.0014	0.006	3.6	1 000 V FA 0,160A 6 x 46	Y209735	MI6FAP100V0,16
		0.200		0.0022	0.01	3.5	1 000 V FA 0,200A 6 x 46	Z209736	MI6FAP100V0,2
		0.250		0.004	0.02	3.2	1 000 V FA 0,250A 6 x 46	A209737	MI6FAP100V0,25
		0.315		0.008	0.04	2.9	1 000 V FA 0,315A 6 x 46	B209738	MI6FAP100V0,315
		0.400		0.017	0.08	2.5	1 000 V FA 0,400A 6 x 46	C209739	MI6FAP100V0,4
		0.500		0.036	0.16	2.2	1 000 V FA 0,500A 6 x 46	D209740	MI6FAP100V0,5
		0.630		0.59	0.35	1.3	1 000 V FA 0,630A 6 x 46	E209741	MI6FAP100V0,63
		0.800		0.110	0.6	1.2	1 000 V FA 0,800A 6 x 46	F209742	MI6FAP100V0,8
1.000	0.230	1.25	1	1 000 V FA 1,000A 6 x 46	V209617	MI6FAP100V1			

Ratings lower than 0,1A : please enquire.

# Miniature Fuses

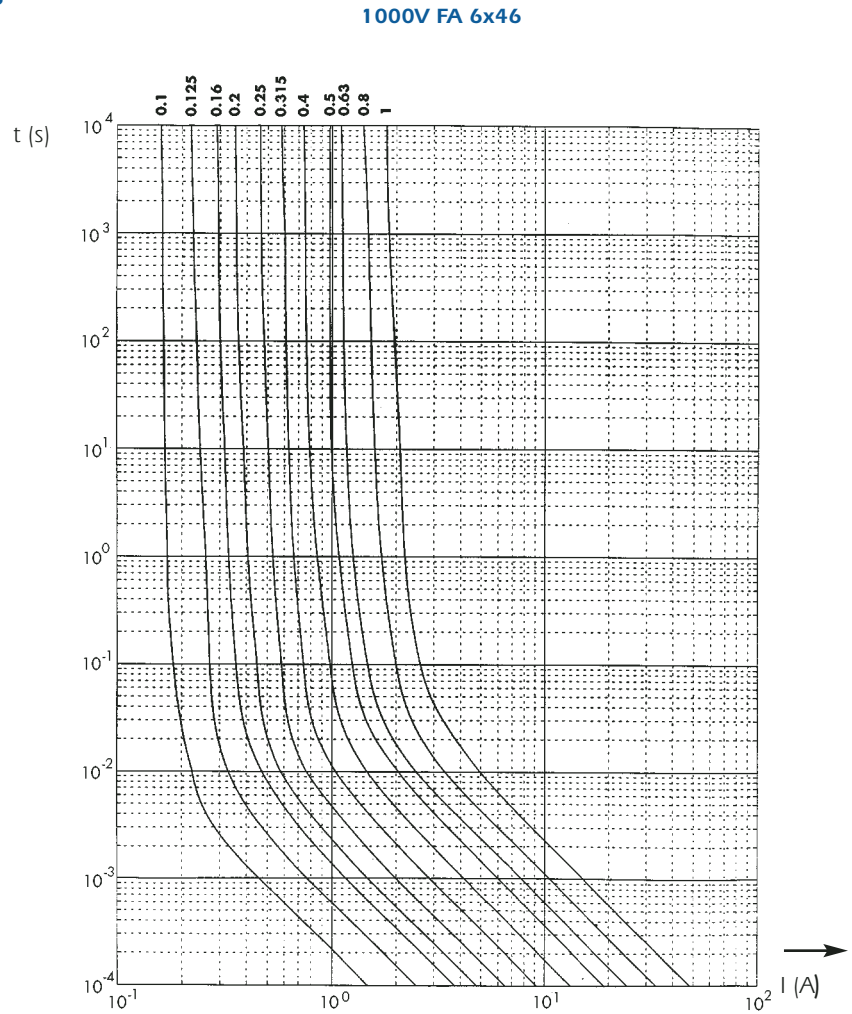
## Very HRC Fuses

6x46

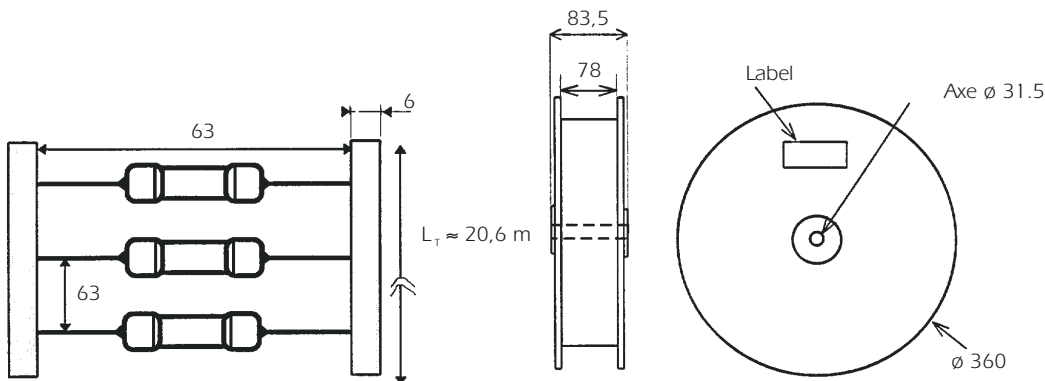
1000V - FA Very Fast Acting

### Time-current characteristics

Tolerance for the mean pre-arcing current  $\pm 12\%$ .  
 These curves indicate, for each rated current, the pre-arcing time vs. the R.M.S. pre-arcing current



**Packaging - Mounting:** 6x46 plastic box 10 pieces (55x42x19). For a 500 pieces box packaging consult us.  
 6x46 + CP6RL in tape per 1500 pièces.



### Installation instructions on PC board.

Soldering heat resistance :  
 according to IEC 68-2-20 / 260°C for 10 seconds.

Leads bending

